

VESPA 50 SPECIAL (V5B3T)

SPARE PARTS CATALOG



THIS SPARE PARTS CATALOG REPRESENTS CURRENT INFORMATION RELATIVE TO ALL SPARE PARTS WHICH ARE SUPPLIED FOR THE **VESPA 50 SPECIAL** (FRAME DESIGNATION — V5B3T) MOTORSCOOTER **WITH EITHER THE THREE-SPEED OR FOUR-SPEED TRANSMISSION** — U.S.A. VERSION ONLY.

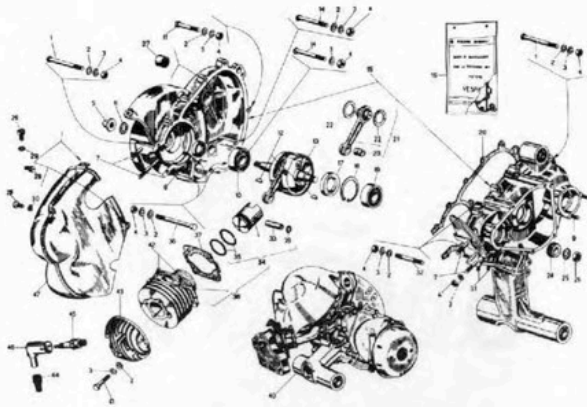
THE UPDATING OF THIS CATALOG WILL BE ACCOMPLISHED BY TOTAL PAGE REPLACEMENT.

TO PROPERLY ORDER THE CORRECT REPLACEMENT PART, FAMILIARIZE YOURSELF WITH THE LAYOUT AND CONTENTS OF THIS MANUAL. FOR EXPLANATION OF PAGE HEADINGS REFER TO THE SECTION BELOW.

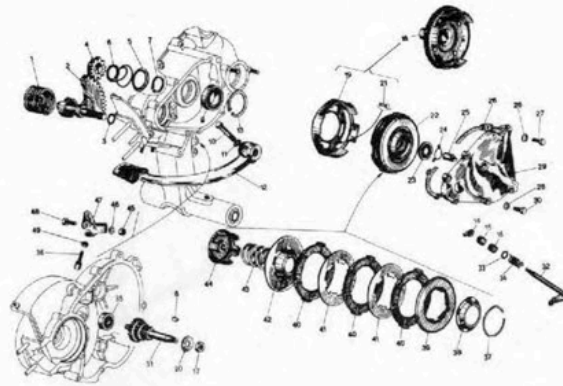
PAGE HEADING EXPLANATION

Fig. #	Part #	DESCRIPTION	V5B3T		Notes — Application
			4 Sp.	3 Sp.	
①	②	③	④	⑤	⑥

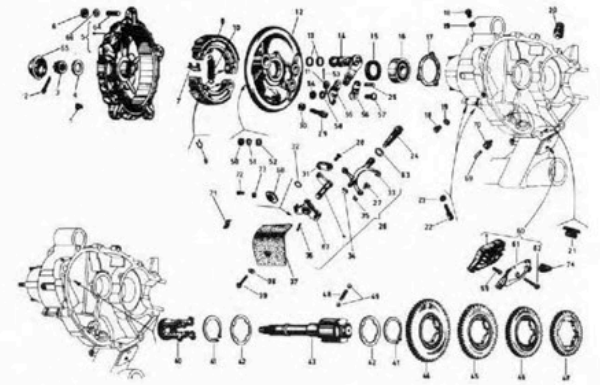
- ① The # in this column represents the actual Fig. # in the Table Diagram.
- ② The # in this column represents the correct Part # which is to be ordered for the application as designated in Column ④ or ⑤. (When placing an Order, request Part # as shown).
- ③ Description of Part.
- ④ and ⑤ Indicates the Model Application (# of Speeds) by the exact quantity of the Part that is **relevant to the Table Diagram**.
- ⑥ Area for Miscellaneous Ordering Information.



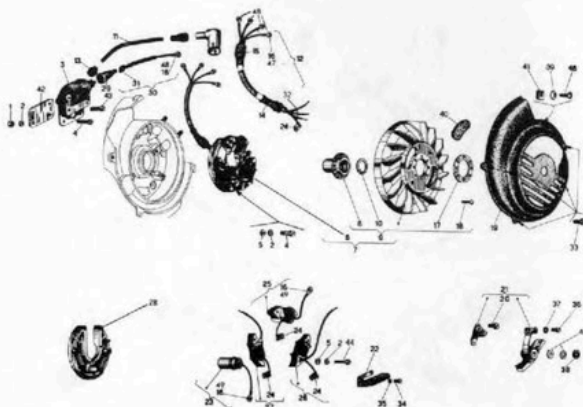
T. I — CRANKCASE — CYLINDER — CRANKSHAFT
Page 8



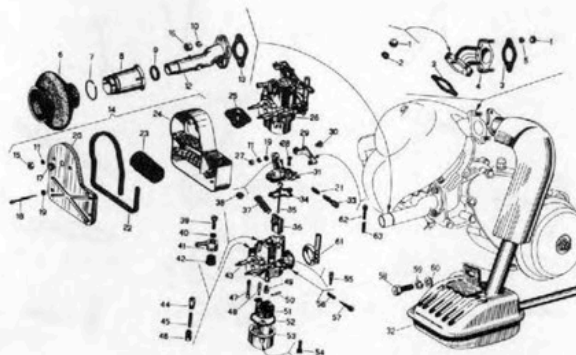
T. II — CLUTCH — STARTER LEVER
Page 14



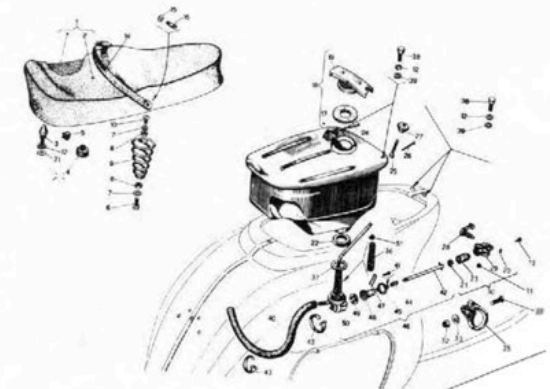
T. III — REAR WHEEL HUB — GEARS
Page 18



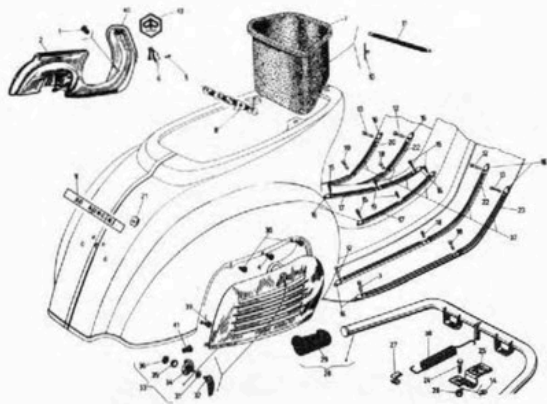
T. IV — FLYWHEEL MAGNETO — COILS
Page 24



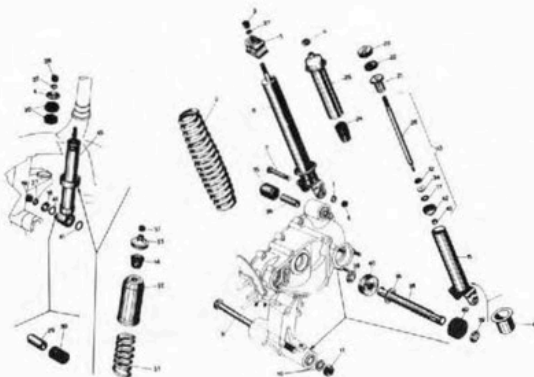
T. V — CARBURETOR — AIR CLEANER
Page 28



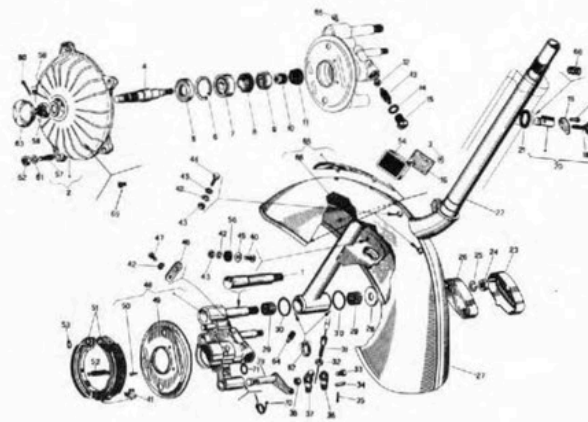
T. VI — SADDLE — FUEL TANK
Page 34



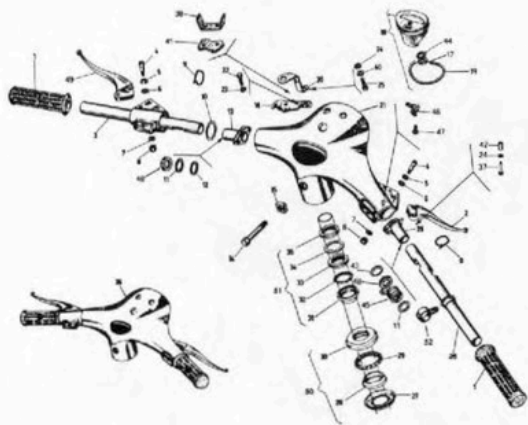
T. VII — FRAME — CENTER STAND — FLOOR STRIPS
Page 38



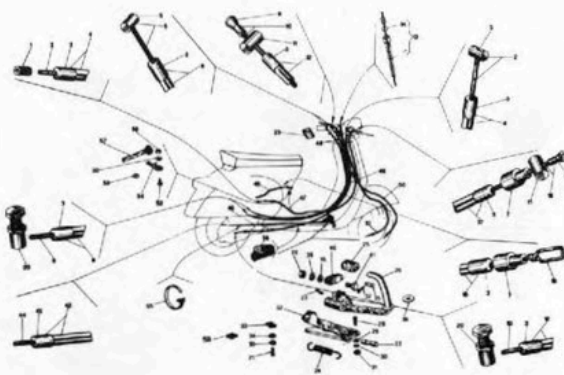
T. VIII — SUSPENSIONS
Page 42



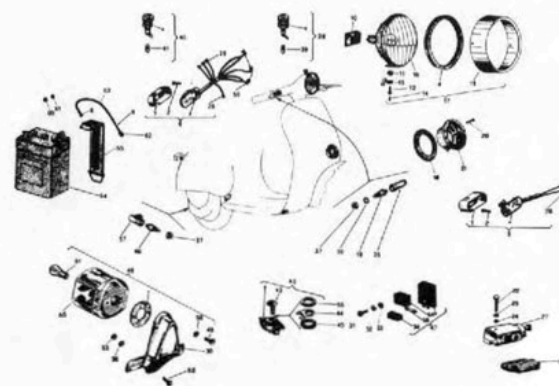
T. IX — STEERING COLUMN — MUDGUARD — HUB
Page 46



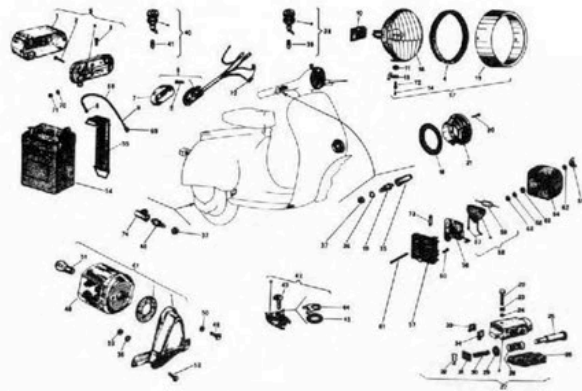
T. X — HANDLEBARS
Page 52



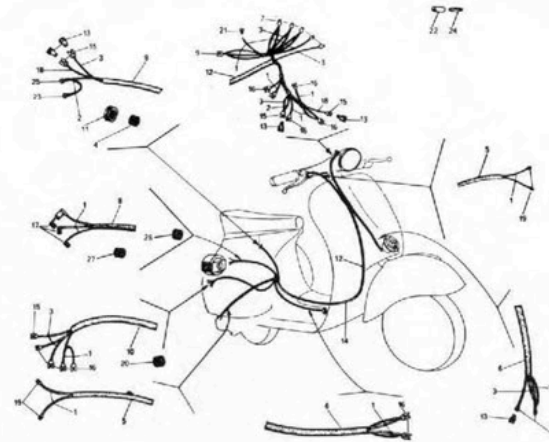
T. XI — CABLES
Page 56



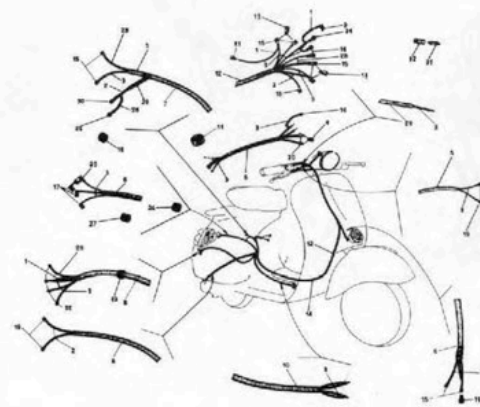
T. XII/3 — HEADLAMP — REAR TAIL LAMP
(Three Speed Model Only) Page 62



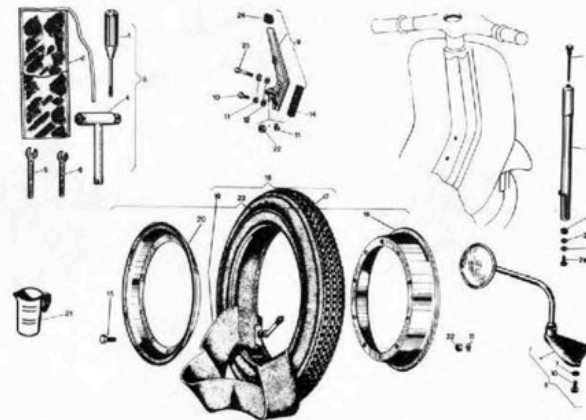
T. XII/4 — HEADLAMP — REAR TAIL LAMP
(Four Speed Model Only) Page 68



T. XIII/3 — ELECTRICAL CONNECTIONS
(Three Speed Model Only) Page 74

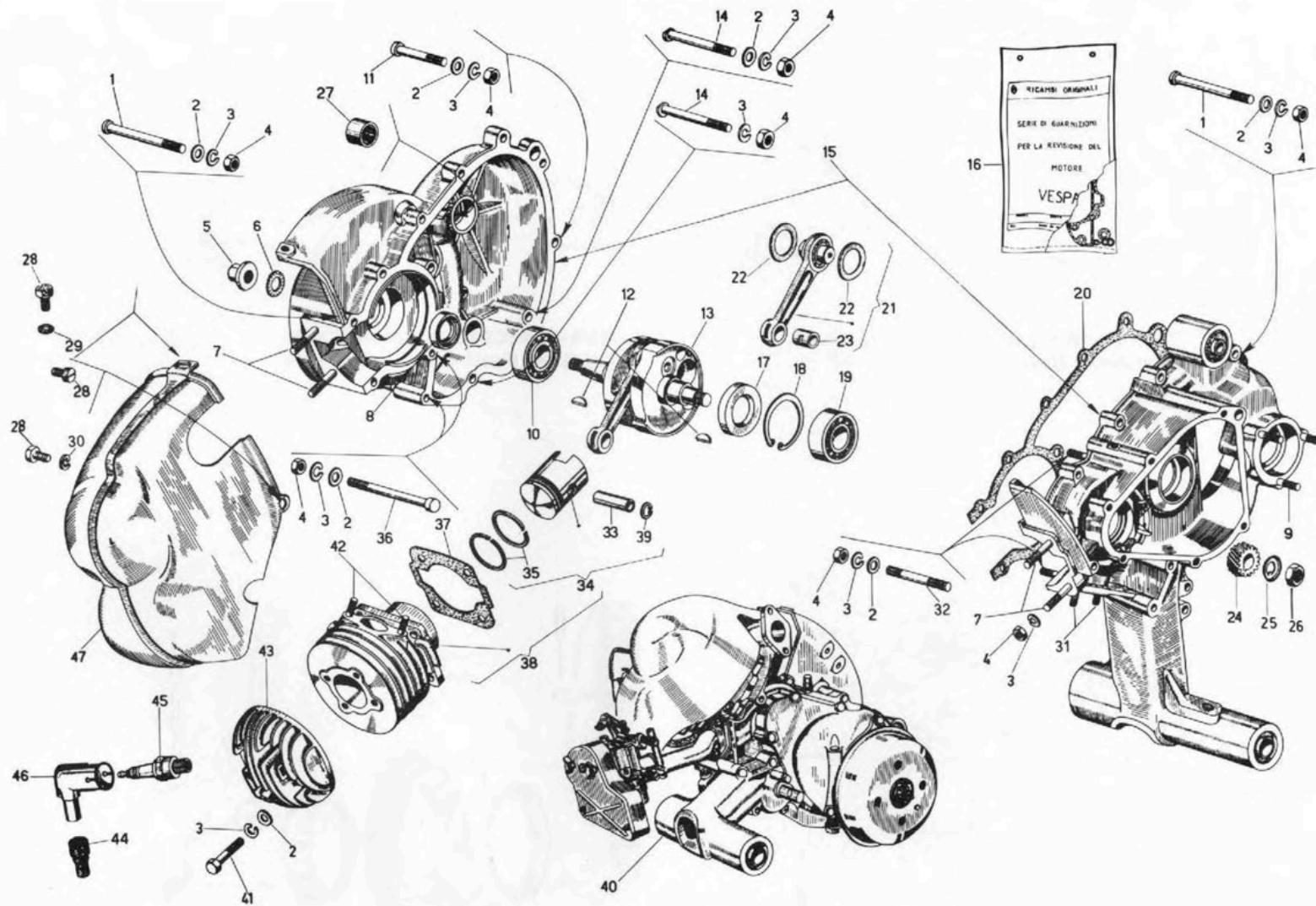


T. XIII/4 — ELECTRICAL CONNECTIONS
(Four Speed Model Only) Page 76



T. XIV — WHEEL TOOLS
Page 80

T. I — CRANKCASE — CYLINDER — CRANKSHAFT



T. I

CRANKCASE — CYLINDER — CRANKSHAFT

Fig. #	Part #	Description	V5B3T		Notes — Applications
			4 Sp.	3 Sp.	
1	S.008499	Bolt	3	3	
2	S.003057	Plain Washer	16	16	
3	S.016407	Spring Washer	21	21	
4	S.020107	Nut	17	17	
5	S.001545	Nut and Collar	1		
5	S.020010	Nut and Collar		1	
6	000686	Lock Washer	1		
6	S.012535	Lock Washer		1	
7	S.000480	Stud	4	4	
8	155579	Oil Seal	1	1	
9	S.000456	Stud	3	3	
10	090131	Bearing — F/W Side	1	1	
11	S.008420	Bolt	5	5	
12	000267	Key	2	2	
13	134359	Crankshaft Assembly	1	1	Includes Part 21
14	S.008421	Bolt	2	2	
15	167553	Crankcase Assembly	1	1	Includes Parts 16, 35, 36, 38, 39, 40 of T. VIII
16	091925	Gasket Set	1	1	Includes Parts 20, 37 of T. I; 3, 26, 33 of T. II; 13, 17, 19, 32 of T. III; 3, 13, 25, 34, 52 of T. V
17	S.008731	Oil Seal	1	1	
18	S.006647	Circlip	1	1	
19	S.007125	Bearing Clutch S 1	1	1	
20	134431	Case Gasket	1	1	
21	099368	Con Rod Assembly	1	1	DNS — Use 134359
22	078332	Shoulder Ring	2	2	DNS — Use 134359
23	120070	Bushing	1	1	
24	152664	Drive Gear	1	1	
25	S.001821	Stop Washer	1	1	
26	S.001510	Nut	1	1	
27	137731	Needle Bearing	1	1	
28	S.031086	Sec. Screw	2	2	

T. I

CRANKCASE — CYLINDER — CRANKSHAFT

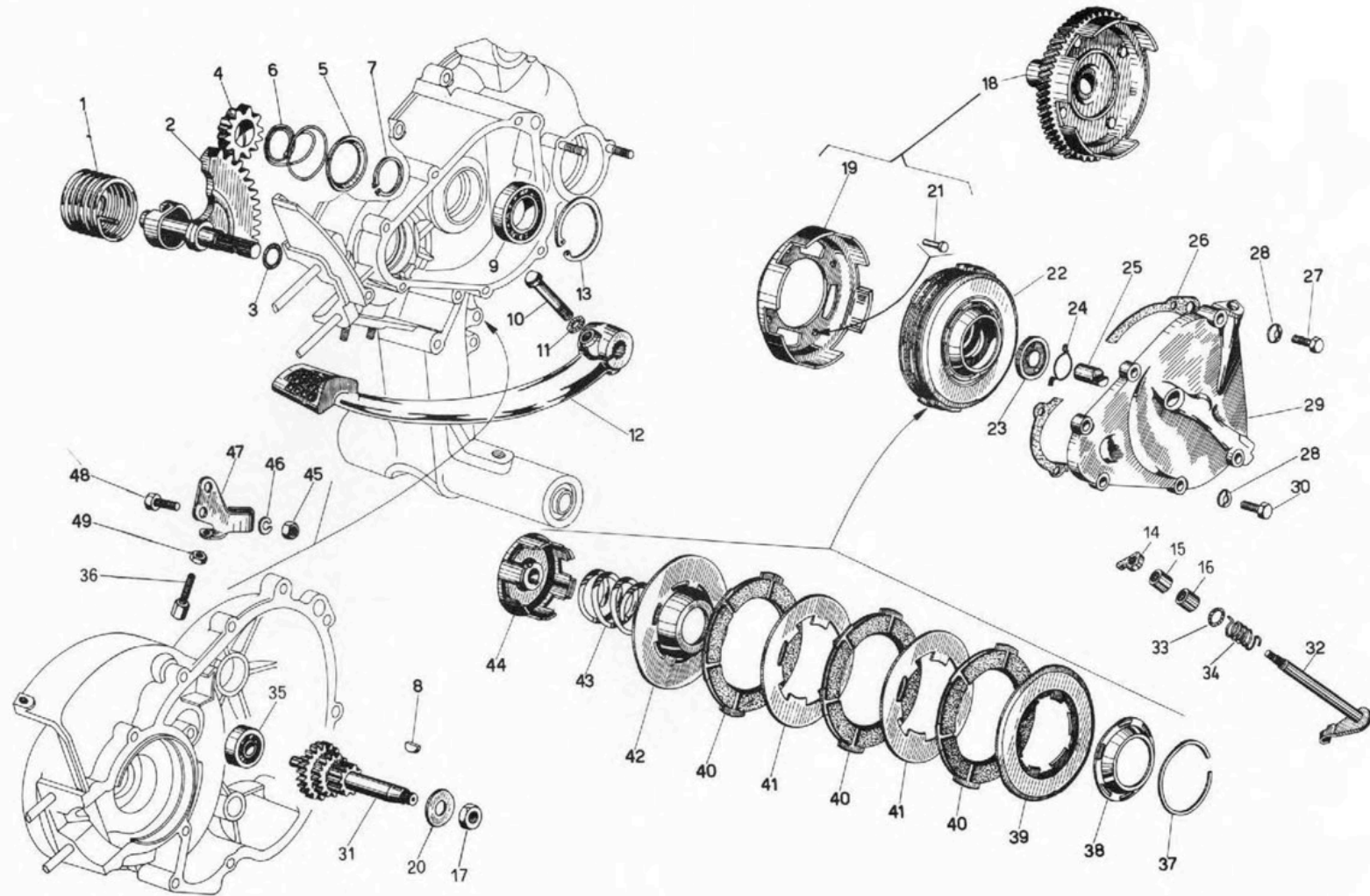
Fig. #	Part #	Description	V5B3T		Notes — Applications
			4 Sp.	3 Sp.	
29	078307	Spring Washer	2	2	
30	S.007631	Spring Washer	1	1	
31	S.011297	Stud	2	2	
32	S.004515	Stud	2	2	
33	132233	Wrist Pin — Standard	1	1	
34	181994	Piston Assembly	1	1	} Includes Parts 33, 35, 39
	122468	1 O.S. Piston Assembly	1		
	182509	1 O.S. Piston Assembly		1	
	122469	2 O.S. Piston Assembly	1		
	182510	2 O.S. Piston Assembly		1	
	122470	3 O.S. Piston Assembly	1		
	182511	3 O.S. Piston Assembly		1	
35	166945	Standard Piston Ring	2	2	
	098196	1 O.S. Piston Ring	2		
	077775	1 O.S. Piston Ring		2	
	098197	2 O.S. Piston Ring	2		
	098196	2 O.S. Piston Ring		2	
	098198	3 O.S. Piston Ring	2		
	098197	3 O.S. Piston Ring		2	
36	S.008419	Bolt	1	1	
37	165123	Cylinder Gasket	1	1	
38	181995	Piston/Cylinder	1	1	Includes Parts 34, 42
39	S.006612	Circlip	2	2	
40	182069	Engine Assembly	1		Includes all Parts of T. I through T. V with exception of Fig. 32 of T. V and Attachment Hardware
40	191455	Engine Assembly		1	Includes all Parts of T. I through T. V with exception of Fig. 32 of T. V and Attachment Hardware
41	S.015559	Bolt	4	4	
42	S.003918	Stud	2	2	

T. I

CRANKCASE — CYLINDER — CRANKSHAFT

Fig. #	Part #	Description	V5B3T		Notes — Applications
			4 Sp.	3 Sp.	
43	112515	Cylinder Head	1	1	
44	071671	Cap	1	1	
45	A. 15032	Spark Plug	1	1	
46	029465	Spark Plug Cap	1	1	
47	139261	Shroud	1	1	

T. II — CLUTCH — STARTER LEVER



T. II

CLUTCH — STARTER LEVER

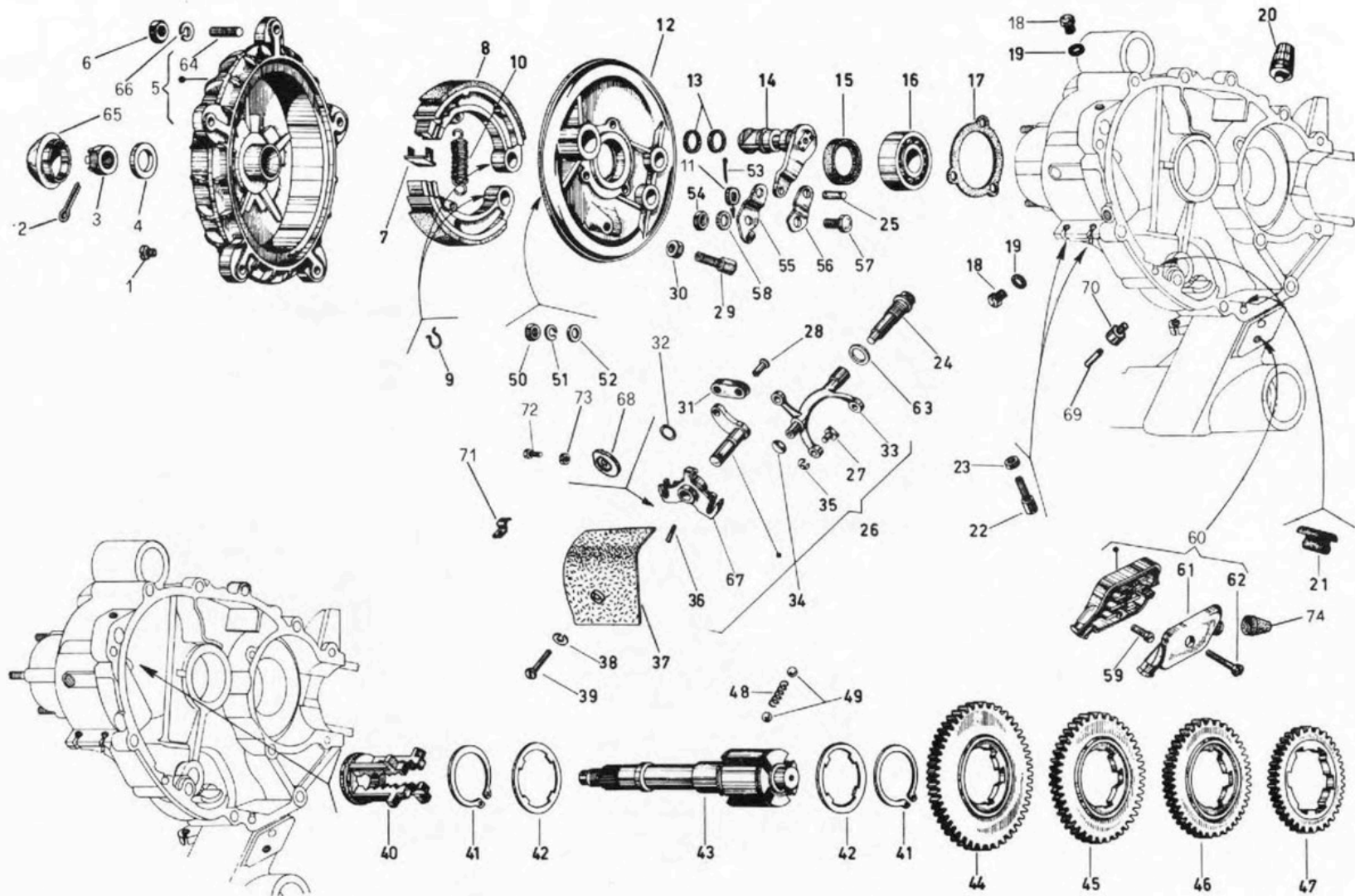
Fig. #	Part #	Description	V5B3T		Notes — Applications
			4 Sp.	3 Sp.	
1	078478	Recoil Spring	1	1	
2	078976	Starter Sector	1	1	
3	S.006721	Packing	1	1	
4	078473	Starter Gear	1	1	
5	151743	Packing Ring	1	1	
6	151493	Spring	1	1	
7	S.006425	Circlip	1	1	
8	S.011753	Key	1	1	
9	S.007130	Bearing	1	1	
10	S.000906	Bolt	1	1	
11	S.012563	Lock Washer	1	1	
12	079077	Kick Start Lever	1	1	
13	S.006647	Circlip	1	1	
14	165949	Inner Lever	1	1	
15	165945	Needle Bearing	1	1	
16	165303	Needle Bearing	1	1	
17	S.001508	Nut	1	1	
18	152661	Outer Ring Gear	1	1	Includes Parts 19, 21
19	090597	Clutch Case	1	1	DNS — Use 152661
20	S.001822	Stop Washer	1	1	
21	S.005772	Rivet	4	4	
22	112348	Clutch Assembly	1	1	Includes Parts 37, 38, 39, 40, 41, 42, 43, 44
23	016821	Plate	1	1	
24	014457	Circlip	1	1	
25	165019	Activating Plunger	1	1	
26	079002	Gasket	1	1	
27	S.030050	Securing Bolt	2	2	
28	S.016335	Spring Washer	6	6	
29	165944	Clutch Cover	1	1	
30	S.031089	Bolt	5	5	
31	112377	Gear Cluster	1		

T.II

CLUTCH — STARTER LEVER

Fig. #	Part #	Description	V5B3T		Notes — Applications
			4 Sp.	3 Sp.	
31	112022	Gear Cluster		1	
32	165947	Clutch Control Lever	1	1	
33	S.006710	Packing	1	1	
34	165844	Spring	1	1	
35	S.007035	Gear Cluster Bearing	1	1	
36	090527	Clutch Adjusting Screw	1	1	
37	079474	Circlip	1	1	
38	150508	Oil Ring	1	1	
39	079476	Outer Plate	1	1	
40	079399	Drive Plate	3	3	
41	079478	Driven Plate	2	2	Cork Pads only not available
42	079469	Inner Plate	1	1	
43	112490	Clutch Spring	1	1	
44	2/079497	Inner Clutch Case	1	1	
45	S.020107	Nut	1	1	
46	S.016407	Spring Washer	1	1	
47	165020	Cable Securing Plate	1	1	
48	S.015507	Bolt	1	1	
49	S.020105	Clutch Adjusting Nut	1	1	

T. III — REAR WHEEL HUB — GEARS



T. III

REAR WHEEL HUB — GEARS

Fig. #	Part #	Description	V5B3T		Notes — Applications
			4 Sp.	3 Sp.	
1	138241	Inspection Screw	1	1	
2	S.012787	Cotter Pin	1	1	
3	S.002314	Castle Nut	1	1	
4	150051	Washer	1	1	
5	138324	Rear Brake Drum	1	1	Includes Part 54
6	S.020108	Wheel Securing Nut	5	5	
7	024410	Brake Shoe Plate	2	2	
8	100492	Rear Brake Shoe	2	2	Includes Part 7
9	000061	Circlip	1	1	
10	078522	Return Spring	1	1	
11	S.013762	Washer	1	1	
12	111586	Dust Plate	1	1	
13	S.006716	Packing	2	2	
14	078366	Brake Lever	1	1	
15	3/046699	Oil Seal	1	1	
16	090025	Bearing	1	1	
17	090899	Gasket	1	1	
18	138345	Oil Drain/Fill Plug	2	2	
19	000397	Packing	2	2	
20	019301	Crankcase Breather	1	1	
21	165206	Stop Buffer	2	2	
22	090527	Gear Shift Adjusting Screw	2	2	
23	S.020105	Gear Shift Adjusting Nut	2	2	
24	098787	Securing Bolt — Stirrup	1	1	
25	090306	Pivot Pin	1	1	
26	167422	Gear Shift Stirrup	1	1	Includes Parts 27, 28, 31, 32, 33, 35, 36, 37
27	078945	Slide	2	2	
28	S.005771	Rivet	2	2	
29	023823	Rear Brake Adjusting Screw ..	1	1	
30	S.020207	Rear Brake Adjusting Nut	1	1	
31	078526	Lever Union	1	1	

T. III

REAR WHEEL HUB — GEARS

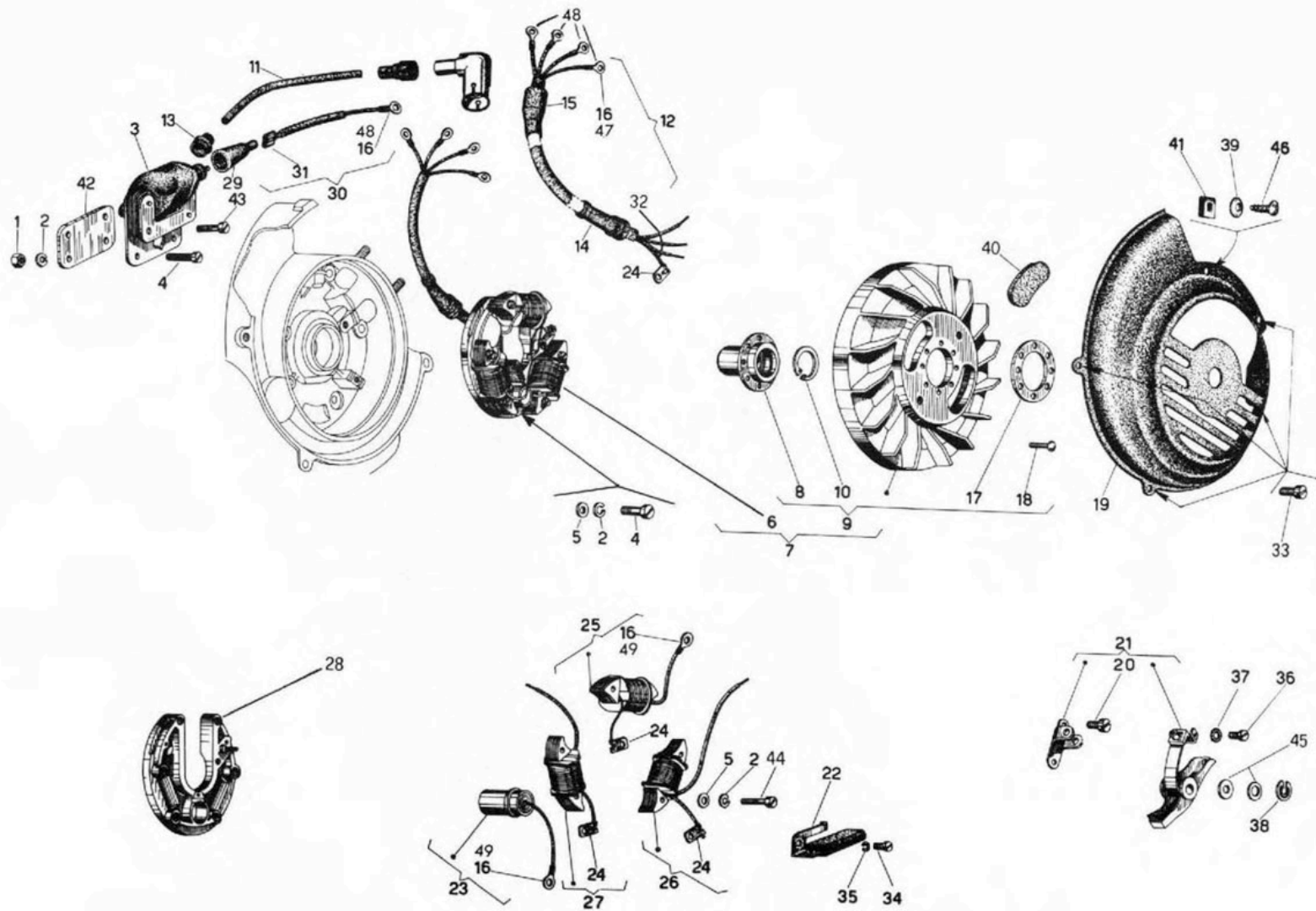
Fig. #	Part #	Description	V5B3T		Notes — Applications
			4 Sp.	3 Sp.	
32	S.006706	Packing	1	1	
33	114125	Gear Shift Stirrup	1		
33	078944	Gear Shift Stirrup		1	
34	078597	Spring Washer	1	1	
35	S.005962	Spring Clip	2	2	
36	S.013010	Pin	1	1	
37	167428	Cover	1	1	
38	S.006975	Spring Washer	1	1	
39	S.015598	Cover Securing Screw	1	1	
40	134902	Gear Selector	1		
40	165304	Gear Selector		1	
41	S.005901	Circlip	2	2	
42	138393	Spacer — Standard	2	2	
42	165418	Spacer — 1 O/S	2	2	
42	165417	Spacer — 2 O/S	2	2	
42	165416	Spacer — 3 O/S	2	2	
42	165415	Spacer — 4 O/S	2	2	
43	111596	Axle Shaft	1	1	
44	134903	Gear — First	1		
44	134381	Gear — First		1	
45	134904	Gear — Second	1		
45	132547	Gear — Second		1	
46	134905	Gear — Third	1		
46	132548	Gear — Third		1	
47	134906	Gear — Fourth	1		
48	150110	Spring	1	1	
49	S.006379	Ball	2	2	
50	S.020108	Nut	3	3	
51	S.016408	Spring Washer	3	3	
52	S.003058	Washer	3	3	
53	S.012761	Cotter Pin	1	1	

T. III

REAR WHEEL HUB — GEARS

Fig. #	Part #	Description	V5B3T		Notes — Applications
			4 Sp.	3 Sp.	
54	S.021209	Nut	1	1	
55	094779	Plate	1	1	
56	042047	Plate	1	1	
57	S.015510	Bolt	1	1	
58	S.012539	Lock Washer	1	1	
59	S.014402	L. T. Socket Screw	4		
60	070744	L. T. Socket Assembly	1		Includes Parts 59, 61, 62
60	185458	L. T. Socket Assembly		1	Includes Parts 61, 62
61	078598	L. T. Socket Cover	1		
62	S.008230	L. T. Socket Securing Screw ...	1	1	
63	098788	Washer	1	1	
64	085914	Stud	5	5	
65	092517	Dust Cap	1	1	
66	S.016408	Spring Washer	5	5	
67	182527	Plate	1	1	
68	167425	Neutral Indicator Cam	1	1	
69	167427	Switch Pin	1	1	
70	167426	Ring Nut	1	1	
71	167555	Strap	1	1	
72	S.015922	Screw	1	1	
73	S.020104	Nut	1	1	
74	161125	Cover		1	

T. IV — FLYWHEEL MAGNETO — COILS



T. IV

FLYWHEEL MAGNETO — COILS

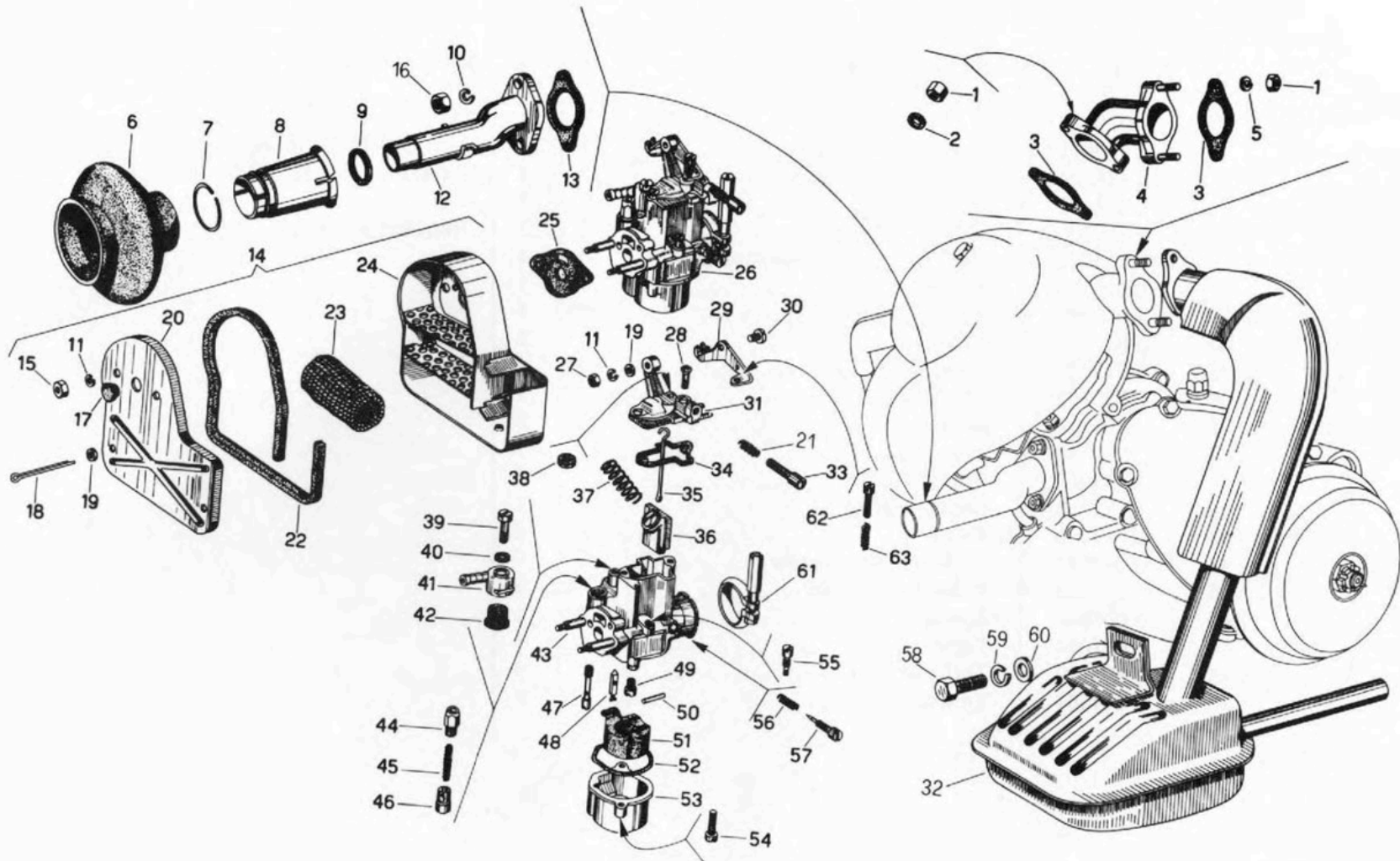
Fig. #	Part #	Description	V5B3T		Notes — Applications
			4 Sp.	3 Sp.	
1	S.020105	Nut	4	4	
2	S.016405	Spring Washer	11	11	
2	S.006965	Spring Washer	3	3	
3	132299	High Tension Coil	1	1	
4	S.010047	Screw	5	5	
5	S.003055	Washer	6	6	
5	090045	Washer	3	3	
6	182059	Stator Plate Assembly	1		Includes Parts 2, 5, 12, 20, 21, 22, 23, 24, 25, 26, 27, 28, 34, 35, 44
6	186828	Stator Plate Assembly		1	Includes Parts 2, 5, 16, 20, 21, 22, 23, 24, 25, 26, 27, 28, 34, 35, 44, 47
7	182060	Flywheel Magneto Assembly ..	1		Includes Assemblies 6 & 9
7	186829	Flywheel Magneto Assembly ..		1	Includes Assemblies 6 & 9
8	111584	Cam	1		
8	165600	Cam		1	
9	102349	Flywheel Rotor	1		Includes Parts 8, 17, 18
9	165710	Flywheel Rotor		1	Includes Parts 8, 17, 18
10	S.005981	Circlip	1		
11	080341	High Tension Cable	1	1	
12	070846	Cable Harness	1		Includes Parts 14, 15, 16, 24, 32
13	145088	Insulating Cover	1	1	
14	046766	Grommet	1	1	
15	161125	Low Tension Socket Cap	1	1	
16	014501	Terminal	9		
17	133500	Plate	1	1	
18	150184	Rivet	8	8	
19	133658	Fan Cover	1	1	
20	S.012332	Ignition Point Securing Screw .	1	1	
21	141838	Ignition Point Assembly	1	1	Includes Parts 36, 37, 38, 45
22	072836	Felt Pad	1	1	
23	079697	Condenser	1	1	Includes Part 16 (49)
24	000662	Terminal	2	4	

T. IV

FLYWHEEL MAGNETO — COILS

Fig. #	Part #	Description	V5B3T		Notes — Applications
			4 Sp.	3 Sp.	
25	091491	Int. Ign. Coil	1	1	Includes Parts 16 (49), 24
26	182054	Lighting Coil	1	1	Includes Part 24
27	182053	Battery Charge Coil	1	1	Includes Part 24
28	141830	Back Plate	1	1	
29	073943	Insulating Cap	1	1	
30	112071	Low Tension Cable	1		Includes Parts 16, 29, 31
30	185621	Low Tension Cable		1	Includes Parts 48, 29, 31
31	071482	Terminal	1	1	
32	085721	Electrical Wire	1	1	Request by Yards
33	S.031086	Fan Cover Securing Screws ...	4	4	
34	S.000838	Screw	1	1	
35	S.016403	Spring Washer	1	1	
36	S.010051	Screw	1	1	
37	S.012554	Lock Washer	1	1	
38	S.005962	Spring Clip	1	1	
39	078307	Washer	2	2	
40	110586	Inspection Plug	1	1	
41	S.008112	Spring Plate	1	1	
42	156338	Support Plate	1	1	
43	S.015856	Screw	2	2	
44	S.015597	Coil Securing Screw	6	6	
45	000622	Shoulder Washer	3	3	
46	S.008265	Screw	1	1	
47	071054	Terminal		1	
48	103130	Terminal		4	
49	014501	Terminal		2	

T. V — CARBURETOR — AIR CLEANER



T. V

CARBURETOR — AIR CLEANER

Fig. #	Part #	Description	V5B3T		Notes — Applications
			4 Sp.	3 Sp.	
1	S.020106	Nut	4	4	
2	S.012533	Lock Washer	2	2	
3	122349	Gasket	2	2	
4	157042	Exhaust Joining Pipe	1	1	
5	078307	Spring Washer	2	2	
6	071813	Bellow	1	1	
7	110007	Clip	1	1	
8	110003	Pipe Union	1	1	
9	S.008735	Packing	1	1	
10	S.016406	Spring Washer	2	2	
11	S.016404	Spring Washer	3	3	
12	165146	Inlet Joining Pipe	1	1	
13	078543	Gasket	1	1	
14	132562	Air Cleaner Assembly	1	1	Includes Parts 11, 15, 17, 18, 19, 20, 22, 23, 24
15	131952	Nut	2	2	
16	S.020006	Nut	2	2	
17	087975	Rubber Plug	1	1	
18	S.012781	Cotter Pin	2	2	
19	S.013800	Washer	4	4	
20	079879	Air Cleaner Box Cover	1	1	
21	098130	Spring	1	1	
22	079882	Packing	1	1	
23	111496	Air Filter	1	1	
24	079875	Air Cleaner Box	1	1	
25	079900	Gasket	1	1	
26	097587	Carburetor Assembly	1	1	Includes Parts 11, 19, 21, 27, 28, 29, 30, 31, 33, 35, 36, 37, 38, 39, 40, 41, 42, 43, 44, 45, 46, 47, 48, 49, 50, 51, 52, 53, 54, 55, 56, 57, 61, 62, 63
27	S.012012	Nut	1	1	
28	085418	Screw	2	2	

T. V

CARBURETOR — AIR CLEANER

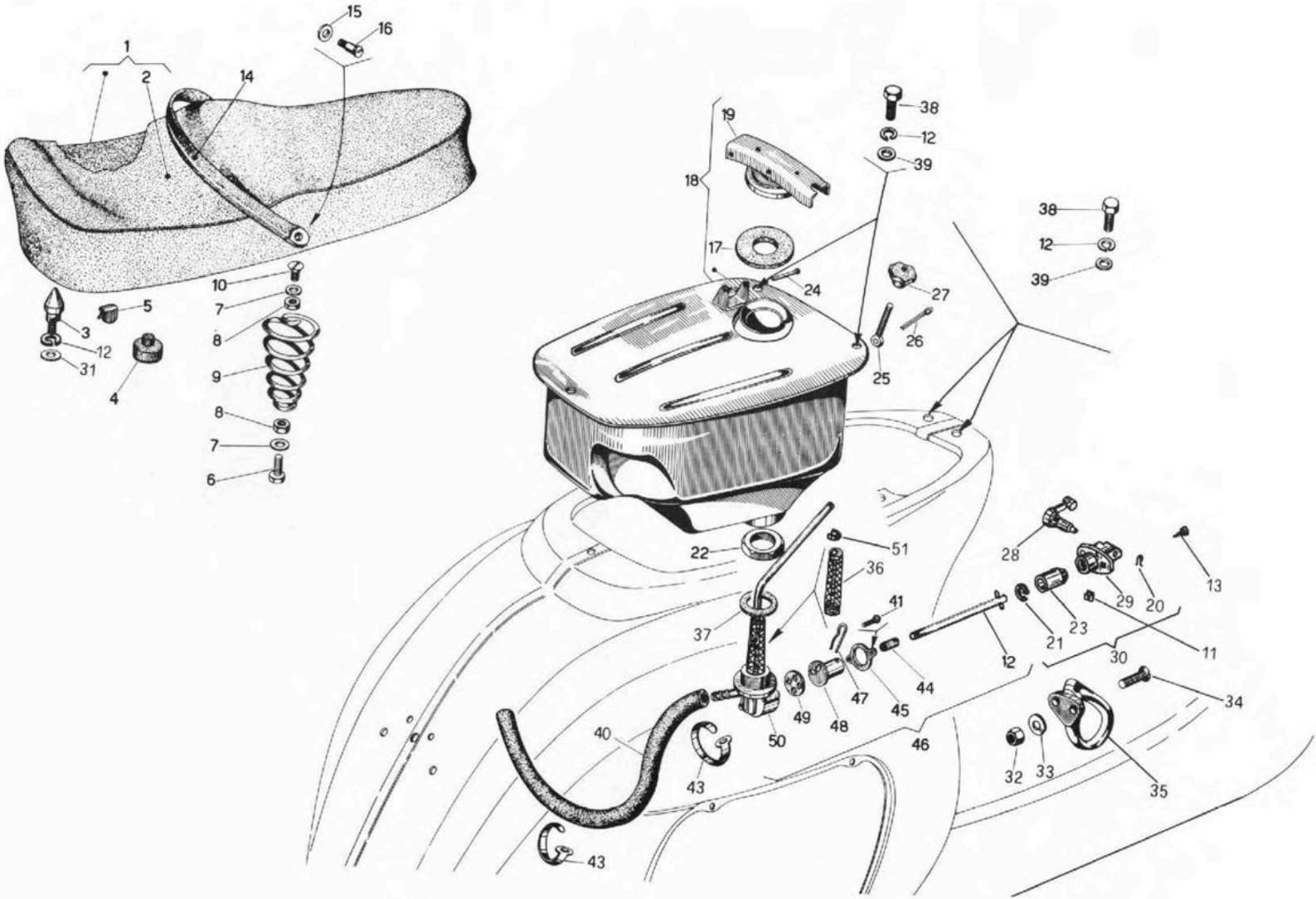
Fig. #	Part #	Description	V5B3T		Notes — Applications
			4 Sp.	3 Sp.	
29	098141	Lever	1	1	
30	092403	Pin	1	1	
31	098139	Throttle Slide Cover	1	1	
32	137655	Muffler	1	1	
33	098128	Throttle Adjustment Screw	1	1	
34	098145	Gasket	1	1	
35	098147	Valve Rod	1	1	
36	098084	Throttle Slide	1	1	
37	098132	Slide Spring	1	1	
38	085286	Grommet	1	1	
39	098144	Screw	1	1	
40	098136	Packing	1	1	
41	098140	Pipe	1	1	
42	098142	Filter	1	1	
43	079883	Stud	2	2	
44	098129	Plug	1	1	
45	098146	Spring	1	1	
46	098149	Starter	1	1	
47	098433	Starter Jet	1	1	
48	090506	Needle	1	1	
49	132590	Main Jet 51/100	1	1	
50	085291	Float Pivot Pin	1	1	
51	098430	Float	1	1	
52	098148	Float Bowl Packing	1	1	
53	098138	Float Bowl	1	1	
54	098134	Screw	2	2	
55	085287	Idle Jet 38/100	1	1	
56	098135	Spring	1	1	
57	098133	Idle Adjustment Screw	1	1	
58	159729	Bolt	1	1	
59	S.016410	Spring Washer	1	1	

T. V

CARBURETOR — AIR CLEANER

Fig. #	Part #	Description	V5B3T		Notes — Applications
			4 Sp.	3 Sp.	
60	S.013962	Washer	1	1	
61	136577	Carburetor Securing Clamp ...	1	1	
62	098137	Lever Adjustment Screw	1	1	
63	013991	Spring	1	1	

T. VI — SADDLE — FUEL TANK



T. VI

SADDLE — FUEL TANK

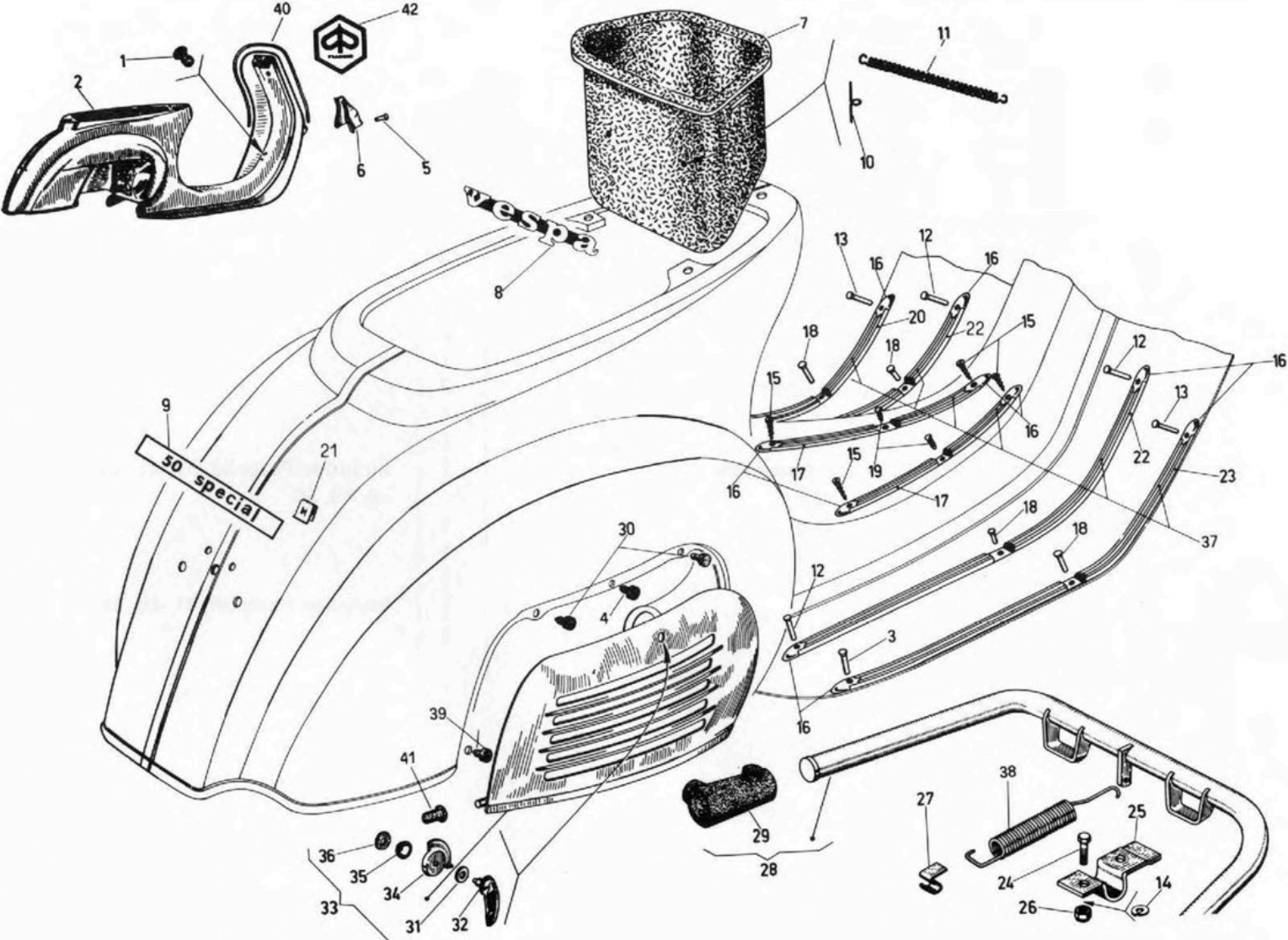
Fig. #	Part #	Description	V5B3T		Notes — Applications
			4 Sp.	3 Sp.	
1	152272	Saddle Assembly	1	1	Includes Parts 2, 4, 5, 6, 7, 8, 9, 10, 14, 15, 16
2	098319	Saddle Cover	1	1	
3	056729	Saddle Securing Pin	1	1	
4	056730	Buffer	4	4	
5	094720	Cover Clamp	18	18	
6	S.014540	Spring Securing Bolt	2	2	
7	S.013880	Washer	4	4	
8	S.020106	Nut	4	4	
9	090731	R. H. Spring	1	1	
9	090732	L. H. Spring	1	1	
10	S.031089	Spring Securing Bolt	2	2	
11	S.008080	Spring Plate	2	2	
12	S.016407	Spring Washer	5	5	
13	S.008455	Self Tapping Screw	2	2	
14	071047	Grip Strap	1	1	
15	089242	Washer	2	2	
16	094030	Grip Securing Screw	2	2	
17	071734	Gas Cap Packing	1	1	Includes Parts 17, 19, 24, 25, 26, 27
18	138617	Gas Tank Assembly with Cap ..	1	1	
19	071728	Gas Tank Cap	1	1	
20	S.006407	Clip	1	1	
21	S.006622	Circlip	1	1	
22	138935	Fuel Cock Securing Nut	1	1	
23	147046	Control Gear	1	1	
24	008446	Gas Cap Pivot Pin	1	1	
25	004435	Gas Cap Securing Rod	1	1	
26	S.003212	Cotter Pin	1	1	
27	092217	Gas Cap Securing Nut	1	1	
28	147047	Fuel Tap Control Lever	1	1	
29	147045	Fuel Tap Box	1	1	

T. VI

SADDLE — FUEL TANK

Fig. #	Part #	Description	V5B3T		Notes — Applications	
			4 Sp.	3 Sp.		
30	147265	Fuel Tap Control Unit	1	1	Includes Parts 20, 21, 23, 28, 29	
31	S.013842	Washer	1	1		
32	S.020105	Nut	2	2		
33	S.007631	Spring Washer	2	2		
34	S.010022	Screw	2	2		
35	057468	Hook	1	1		
36	138934	Fuel Filter	1	1		
37	S.006068	Packing	1	1		
38	S.015522	Bolt	4	4		
39	S.003057	Washer	6	6		
40	071506	Fuel Line	1	1		
41	S.010011	Screw	2	2		
42	147277	Fuel Tap Activating Rod	1	1		
43	090982	Fuel Line Clamp Strap	2	2		
44	083139	Sleeve	1	1		
45	158893	Spring Washer	1	1		
46	180053	Fuel Tap Assembly	1	1		Includes Parts 22, 37, 41, 42, 44, 45, 47, 48, 49, 50
47	015467	Spring Clip	1	1		
48	147274	Cover	1	1		
49	013836	Packing	1	1		Includes Parts 36, 41, 45, 48, 49, 51
50	180054	Fuel Tap	1	1		
51	175330	Clip	1	1		

T. VII — FRAME — CENTER STAND — FLOOR STRIPS



T. VII

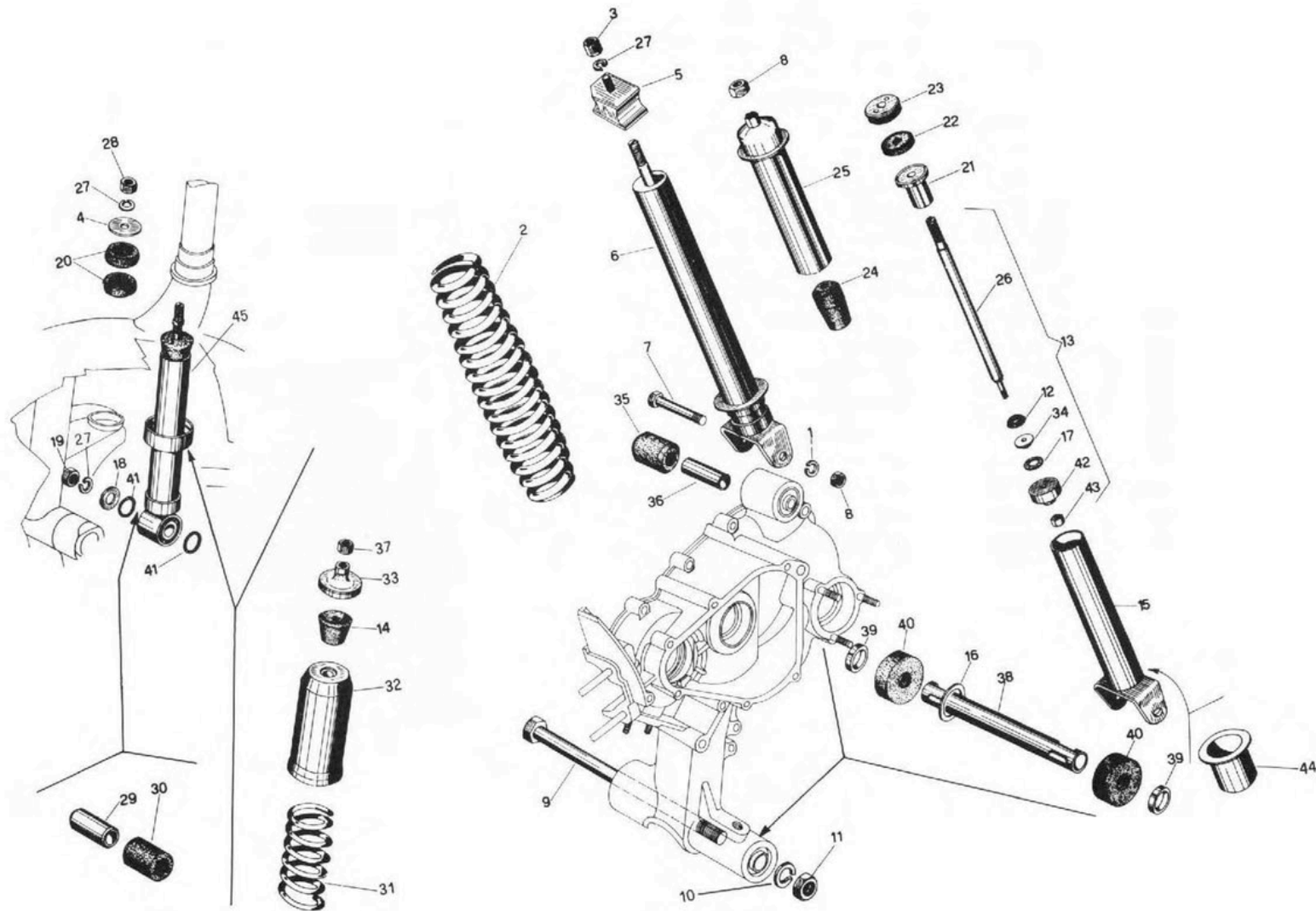
FRAME — CENTER STAND — FLOOR STRIPS

Fig. #	Part #	Description	V5B3T		Notes — Applications
			4 Sp.	3 Sp.	
1	090958	Spare Tire Bracket Plug	2	2	
2	185108	Frame	1		DNS — Special Order Item
2	5/191516	Frame		1	DNS — Special Order Item
3	S.010881	Rivet	2	2	
4	150566	Battery Storage Flap Buffer	5	5	
4	150566	Control Buffer Engine Flap	1	1	
5	003008	Rivet	6	6	
6	156151	Steering Column Cover	1	1	
7	100389	Storage Box	1	1	
8	152649	Nameplate	1	1	
9	152511	Nameplate	1	1	
10	071638	Spring	2	2	
11	012218	Storage Box Spring	1	1	
12	S.010869	Rivet	4	4	
13	S.010868	Rivet	2	2	
14	S.016406	Spring Washer	4	4	
15	S.014628	Screw	4	4	
16	098668	Strip End Fastener	12	12	
17	098663	Channel Strips	2	2	
18	S.010805	Rivet	10	10	
19	004511	Rivet	2	2	
20	150275	L. H. Outer Strip	1	1	
21	S.008108	Securing Clip	4	4	
22	098662	R. H. and L. H. Inner Strip	2	2	
23	150276	R. H. Outer Strip	1	1	
24	S.031089	Stand Securing Bolt	4	4	
25	135389	R. H. Stand Securing Bracket ..	1	1	
25	135390	L. H. Stand Securing Bracket ..	1	1	
26	S.020006	Nut	4	4	
27	077252	Spring Retention Plate	1	1	

T. VII FRAME — CENTER STAND — FLOOR STRIPS

Fig. #	Part #	Description	V5B3T		Notes — Applications
			4 Sp.	3 Sp.	
28	139184	Central Stand with Pads	1		Includes Part 29
28	135384	Central Stand with Pads		1	Includes Part 29
29	135387	R. H. Stand Pad	1	1	
29	135388	L. H. Stand Pad	1	1	
30	098669	Buffer	2	2	
31	S.006177	Washer	2	2	
32	131093	Flap Lever	2	2	
33	131090	Engine Flap	1	1	Includes Parts 31, 32, 34, 35, 36
33	145490	Battery Storage Flap	1	1	Includes Parts 31, 32, 34, 35, 36
34	145493	Latch — Battery Storage Flap .	1	1	
34	131094	Latch — Engine Flap	1	1	
35	131095	Spring Washer	2	2	
36	S.016603	Washer	2	2	
37	097237	Rubber Floor Strip	1	1	Order by Yards
38	138857	Central Stand Spring	1		
38	077269	Central Stand Spring		1	
39	101783	Buffer	2	2	
40	A. 20054	Windshield Beading	1	1	
41	100408	Cap	2	2	
42	152280	Piaggio Nameplate	1	1	Adhesive — Acetone Activated

T. VIII — SUSPENSIONS



T. VIII

SUSPENSIONS

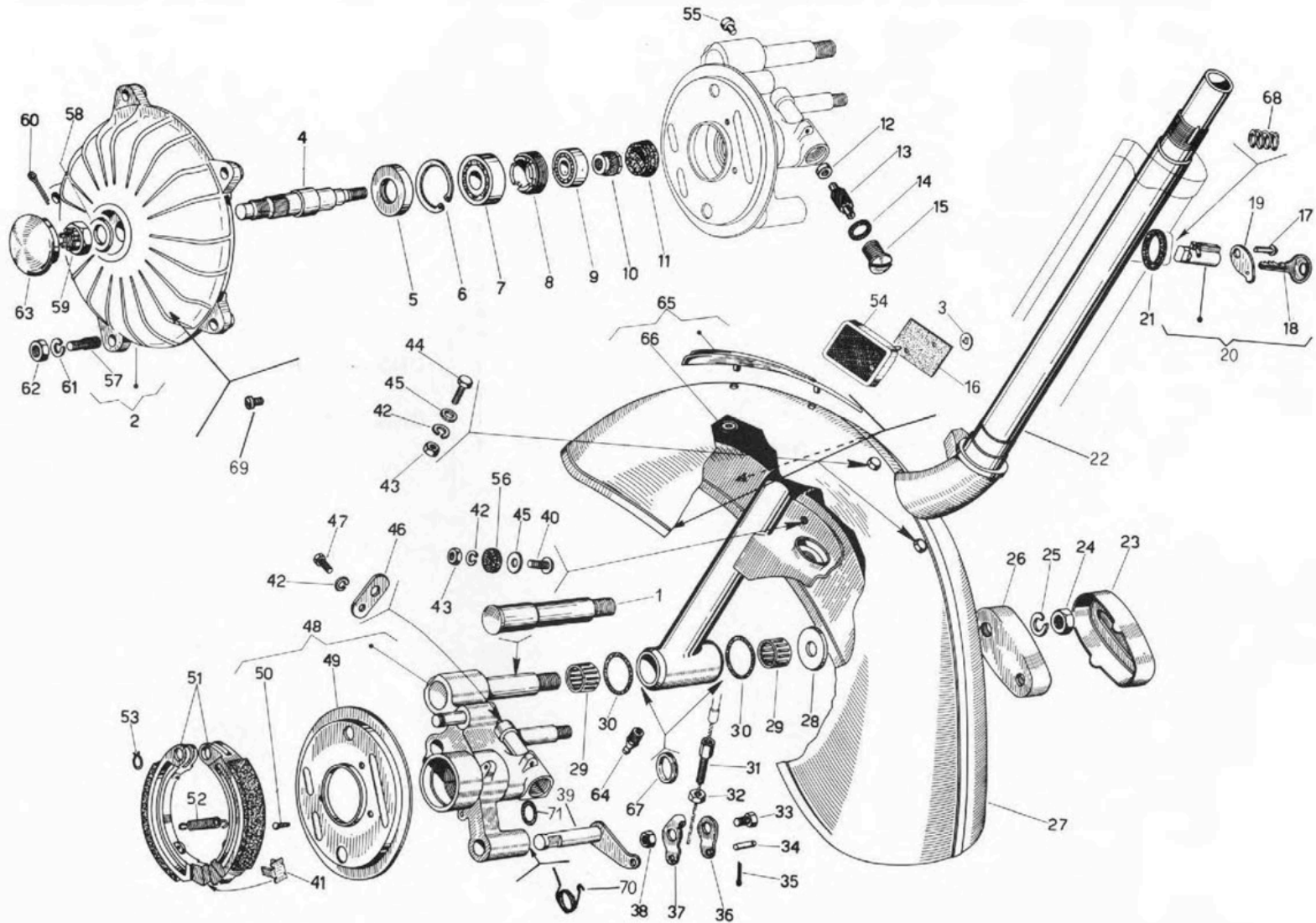
Fig. #	Part #	Description	V5B3T		Notes — Applications
			4 Sp.	3 Sp.	
1	S.016409	Spring Washer	2	2	
2	070646	Rear Suspension Spring	1	1	
3	S.020008	Nut	1	1	
4	118563	Washer	1	1	
5	060536	Mounting Buffer	1	1	
6	2/098812	Rear Shock Absorber	1	1	Includes Parts 8, 13, 15, 21, 22, 23, 24, 25, 44
7	S.014689	Mounting Bolt	1	1	
8	S.020209	Nut	2	2	
9	078588	Engine Mounting Bolt	1	1	
10	S.016410	Spring Washer	1	1	
11	S.015252	Nut	1	1	
12	048596	Stop Buffer	1	1	DNS — Order Assembly
13	098109	Operating Rod Assembly	1	1	Includes Parts 12, 17, 26, 34, 42, 43
14	057894	Buffer	1	1	
15	090934	Dampier Body	1	1	DNS — Order Assembly
16	180470	Seating Washer	1	1	
17	017385	Oil Seal	1	1	DNS — Order Assembly
18	057943	Washer	1	1	
19	S.020108	Nut	1	1	
20	057012	Front Shock Absorber Upper Damper	2	2	
21	071500	Guide Bush	1	1	
22	090150	Oil Seal	1	1	
23	048591	Securing Ring Nut	1	1	
24	150264	Buffer	1	1	
25	070635	Shock Absorber Outer Sleeve ..	1	1	
26	070641	Operating Rod	1	1	DNS — Order Assembly
27	S.016408	Spring Washer	1	1	
28	S.021108	Nut	1	1	
29	057892	Anchor Bush	1	1	

T. VIII

SUSPENSIONS

Fig. #	Part #	Description	V5B3T		Notes — Applications
			4 Sp.	3 Sp.	
30	057893	Buffer	1	1	
31	070072	Spring	1	1	
32	057895	Outer Sleeve	1	1	
33	098538	Upper Plate	1	1	
34	071493	Valve Support	1	1	DNS — Order Assembly
35	040316	Buffer	1	1	
36	094727	Anchor Bush	1	1	
37	S.012139	Nut	1	1	
38	078587	Mounting Sleeve	1	1	
39	112093	Spacer	2	2	
40	112040	Spring Buffer	2	2	
41	S.006721	Packing	2	2	
42	071499	Damper	1	1	DNS — Order Assembly
43	S.020005	Nut	1	1	
44	090477	Spacer Sleeve	1	1	DNS — Order Assembly
45	137936	Front Shock Absorber	1	1	

T. IX — STEERING COLUMN — MUDGUARD — HUB



T. IX

STEERING COLUMN — MUDGUARD — HUB

Fig. #	Part #	Description	V5B3T		Notes — Applications	
			4 Sp.	3 Sp.		
1	070181	Hub Pivot Pin	1	1		
2	180089	Front Brake Drum	1	1	Includes Part 57	
3	181351	Clip	4	4		
4	158251	Axle	1	1		
5	128217	Oil Seal	1	1		
6	005141	Circlip	1	1		
7	002802	Bearing	1	1		
8	057940	Castle Ring Nut	1	1		
9	002800	Bearing	1	1		
10	151615	Speedometer Pinion Drive	1	1		
11	071053	Dust Cover	1	1		
12	057939	Stop Buffer	1	1		
13	151614	Speedometer Pinion Drive	1	1		
14	057941	Packing	1	1		
15	057935	Cap	1	1		
16	158064	Packing	2	2		
17	174629	Rivet	1	1		
18	A. 25001	Key Blank	2	2		Pre-Cut Keys Not Available
19	174628	Cover Plate	1	1		
20	152096	Steering Column Lock Assembly	1	1		Includes Part 18
21	174092	Packing	1	1		
22	152329	Steering Column	1			
22	183678	Steering Column		1		
23	070177	Cover	1	1		
24	S.015222	Nut	1	1		
25	S.016412	Spring Washer	1	1		
26	070176	Front Wheel Hub Cover	1	1		
27	091323	Front Fender	1			
27	183680	Front Fender		1		
28	057944	Washer	1	1		

T. IX

STEERING COLUMN — MUDGUARD — HUB

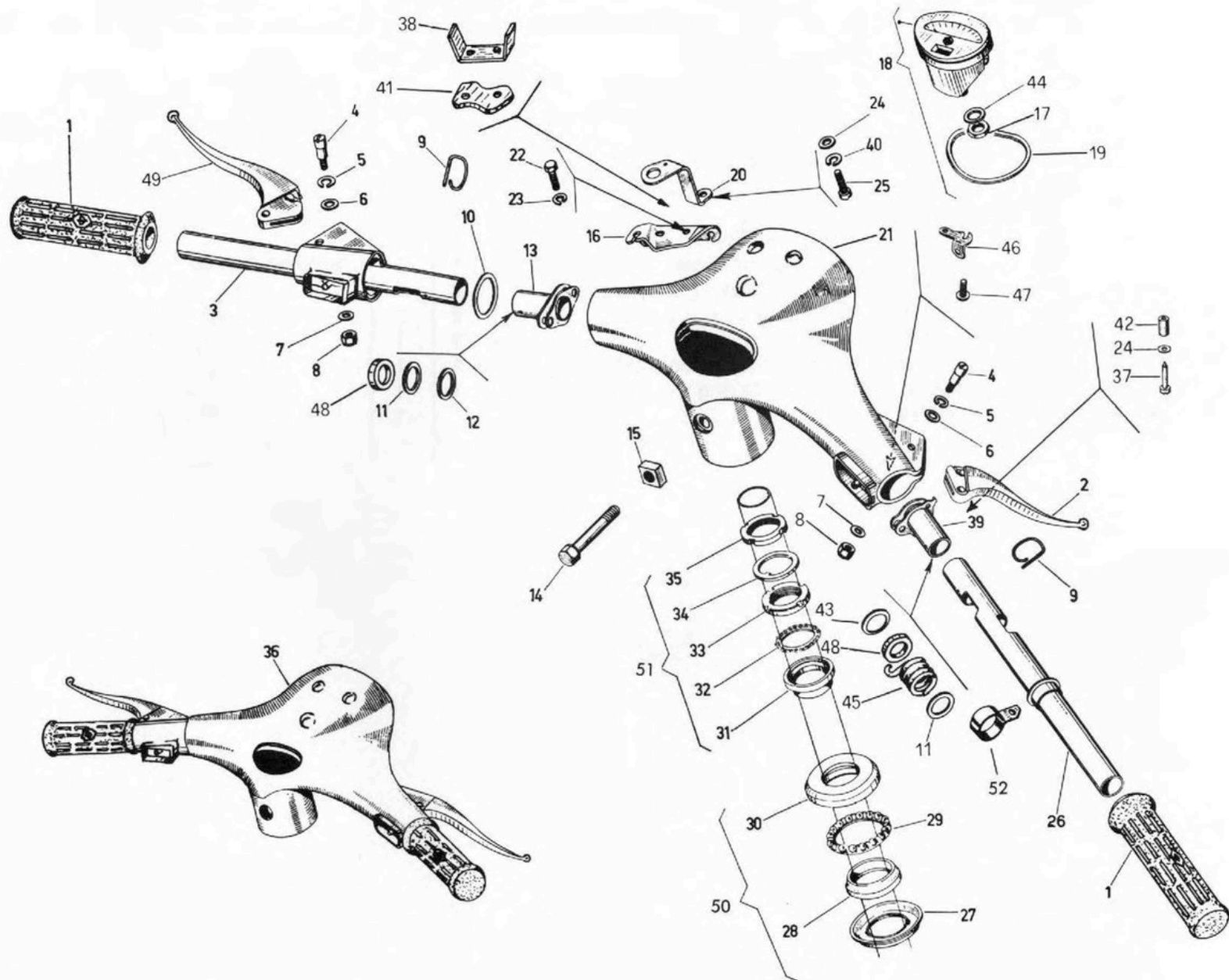
Fig. #	Part #	Description	V5B3T		Notes — Applications
			4 Sp.	3 Sp.	
29	090457	Roller Cage Bearing	2	2	
30	S.014013	Hub Packing	2	2	
31	090527	Adjusting Screw — Front Brake	1	1	
32	S.020105	Adjusting Nut — Front Brake ..	1	1	
33	002036	Cable Securing Bolt	1	1	
34	090305	Pin	1	1	
35	S.012761	Cotter Pin	1	1	
36	083608	Brake Link	1	1	
37	097108	Brake Link	1	1	
38	S.020207	Cable Securing Nut	1	1	
39	165370	Brake Activating Lever	1		
39	175952	Brake Activating Lever		1	
40	S.015123	Screw	1	1	
41	090878	Plate	1	1	
42	S.016405	Spring Washer	4	4	
43	S.020105	Nut	3	3	
44	S.031059	Bolt	2	2	
45	S.003055	Washer	5	5	
46	057938	Plate	1	1	
47	S.031056	Bolt	1	1	
48	165872	Front Wheel Hub	1	1	Includes Parts 1, 49, 50
49	165873	Dust Cover	1	1	
50	S.010870	Rivet	3	3	
51	091058	Front Brake Shoe	2	2	Includes Part 41
52	025990	Retention Spring	1	1	
53	000061	Circlip	1	1	
54	142861	Reflector	2		
54	152895	Reflector		2	
55	070433	Plug	1	1	
56	099335	Spacer	1	1	

T. IX

STEERING COLUMN — MUDGUARD — HUB

Fig. #	Part #	Description	V5B3T		Notes — Applications
			4 Sp.	3 Sp.	
57	085914	Stud	5	5	
58	S.013879	Drum Securing Washer	1	1	
59	S.002314	Brake Drum Securing Nut	1	1	
60	S.012787	Cotter Pin	1	1	
61	S.016408	Spring Washer	5	5	
62	S.020108	Rim Securing Nut	5	5	
63	092517	Dust Cap	1	1	
64	019556	Grease Nipple	1	1	
65	124708	Mudguard Crest	1	1	Includes Part 66
66	085508	Spring Clip	2	2	
67	150579	Oil Seal	2	2	
68	139370	Spring	1	1	
69	138241	Brake Inspection Screw	1	1	
70	128281	Return Spring	1	1	
71	S.006714	Packing		1	

T. X — HANDLEBARS



T. X

HANDLEBARS

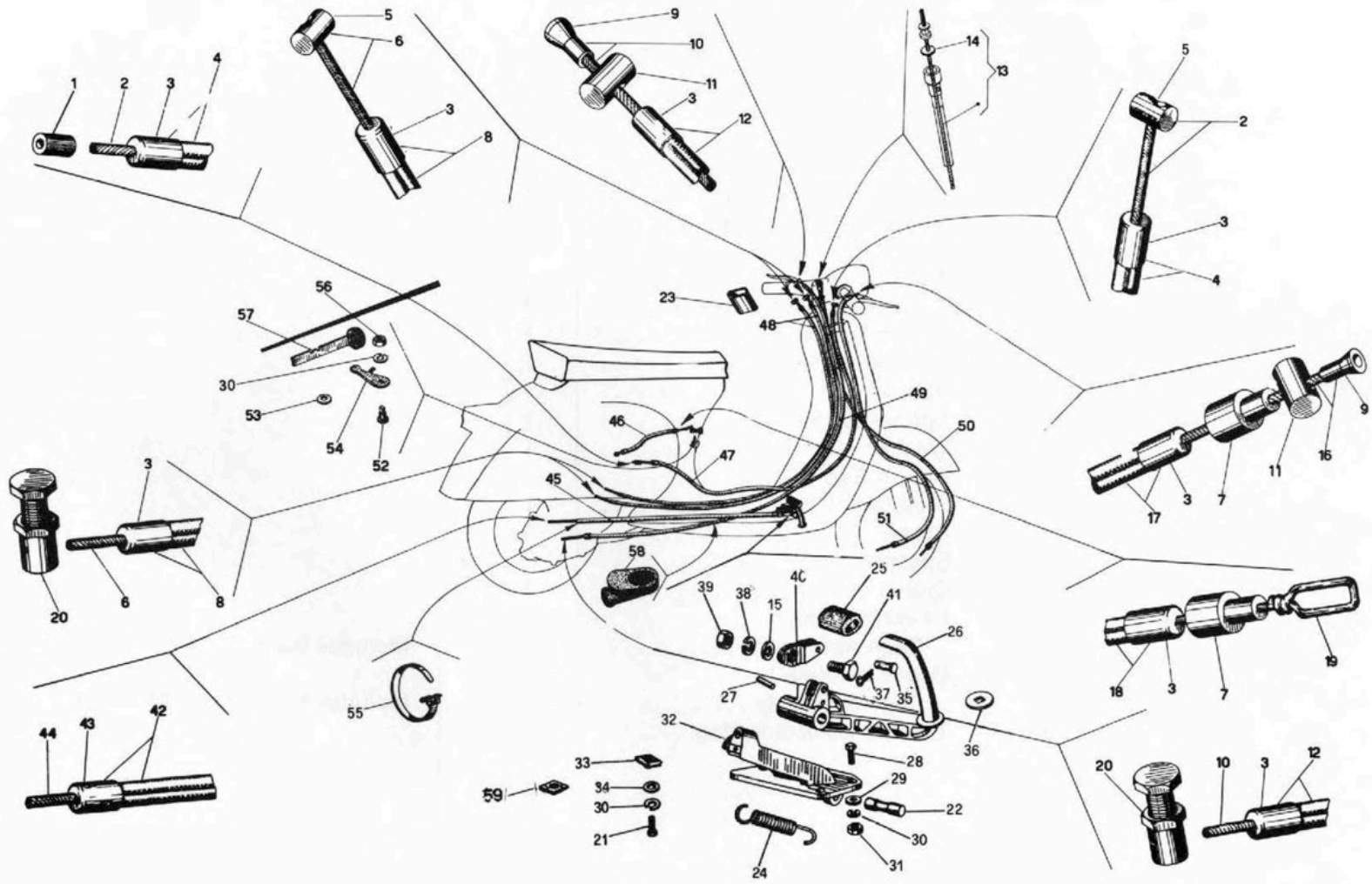
Fig. #	Part #	Description	V5B3T		Notes — Applications
			4 Sp.	3 Sp.	
1	141923	Grip	2	2	
2	181289	Front Brake Lever	1	1	
3	138297	Gear Shift Sleeve	1		
3	176773	Gear Shift Sleeve		1	
4	150235	Lever Pivot Screw	2	2	
5	017492	Spring Washer	2	2	
6	097734	Washer	2	2	
7	097733	Washer	2	2	
8	S.012136	Nut	2	2	
9	101481	Retaining Clip	2	2	
10	070858	Stop Washer	1	1	
11	101474	Shoulder Washer	2	2	
12	101473	Spring Spacer	1	1	
13	101470	Gear Shift Activating Tube	1	1	
14	S.015542	Handlebar Securing Bolt	1	1	
15	070620	Nut	1	1	
16	137837	Cable Securing Bracket	1	1	
17	S.012113	Nut	1	1	
18	181793	Speedometer Assembly	1	1	Includes Parts 17, 20, 44
19	100618	Packing	1	1	
20	100617	Speedometer Bracket	1	1	
21	185141	Handlebar Body	1		
21	191185	Handlebar Body		1	
22	S.015856	Bolt	2	2	
23	S.012532	Lock Washer	2	2	
24	S.003055	Washer	2	2	
25	S.015812	Bolt	1	1	
26	175385	Throttle Sleeve	1	1	
27	019264	Dust Cover	1	1	
28	055989	Inner Bearing Track	1	1	

T. X

HANDLEBARS

Fig. #	Part #	Description	V5B3T		Notes — Applications
			4 Sp.	3 Sp.	
29	077023	Bearing Cage	1	1	
30	092667	Outer Bearing Track	1	1	
31	056641	Inner Track — Upper Bearing ..	1	1	
32	077024	Bearing Cage	1	1	
33	055986	Ring Nut	1	1	
34	003751	Lock Washer	1	1	
35	011109	Ring Nut	1	1	
36	185139	Handlebar Assembly	1		
36	191240	Handlebar Assembly		1	
37	S.015856	Bolt	1	1	
38	187776	Plate		1	
39	137844	Throttle Activating Tube	1	1	
40	S.016405	Spring Washer	1	1	
41	139115	Locking Plate	1	1	
42	126929	Spacer	1	1	
43	139890	Spring Spacer	1	1	
44	S.013920	Washer	1	1	
45	175384	Return Spring	1	1	
46	126927	Stop Switch Bracket	1	1	
47	S.030225	Screw	1	1	
48	138210	Spacer	2	2	
49	165279	Clutch Lever	1	1	
50	153024	Lower Bearing/ Cage Assembly	1	1	Includes Parts 27, 28, 29, 30
51	153025	Upper Bearing/ Cage Assembly	1	1	Includes Parts 31, 32, 33, 34, 35
52	071039	Throttle Control Spring	1		

T. XI — CABLES



T. XI

CABLES

Fig. #	Part #	Description	V5B3T		Notes — Applications
			4 Sp.	3 Sp.	
1	143849	Nipple Carb Side	1	1	
2	070891	Inner Cable — Throttle	1	1	Includes Part 5
3	147511	End Cap	12	12	
4	174357	Sheath — Throttle	1	1	DNS — Order Assembly
5	014657	Nipple	2	2	
6	107089	Inner Cable — Gear Shift	2		Includes Part 5
7	090511	Cable Stop — Handlebar End .	2	2	
8	070874	Sheath — Gear Shift	2	2	DNS — Order Assembly
9	002777	Nipple — Handlebar End	2	2	
10	118313	Inner Cable — Clutch	1	1	Includes Part 9
11	018699	Nipple — Clutch, Front Brake ..	2	2	
12	147512	Sheath — Clutch	1	1	DNS — Order Assembly
13	097755	Inner Cable — Speedometer ..	1	1	Includes Part 14
14	097756	Washer	1	1	
15	S.013762	Washer	1		
15	S.013940	Washer		1	
16	118310	Inner Cable — Front Brake	1	1	Includes Part 9
17	150484	Sheath — Front Brake	1	1	DNS — Order Assembly
18	070895	Sheath — Choke	1	1	DNS — Order Assembly
19	070894	Inner Cable — Choke	1	1	
20	153198	Cable Adjusting Nipple	3	3	
21	S.031088	Bolt	1		
21	S.031089	Bolt		1	
22	070122	Pivot Pin	1		
22	183124	Pivot Pin		1	
23	090529	Strap	1	1	
24	070994	Spring	1	1	
25	100426	Pad	1		
25	182051	Pad		1	
26	103843	Rear Brake Pedal	1		
26	182049	Rear Brake Pedal		1	

T. XI

CABLES

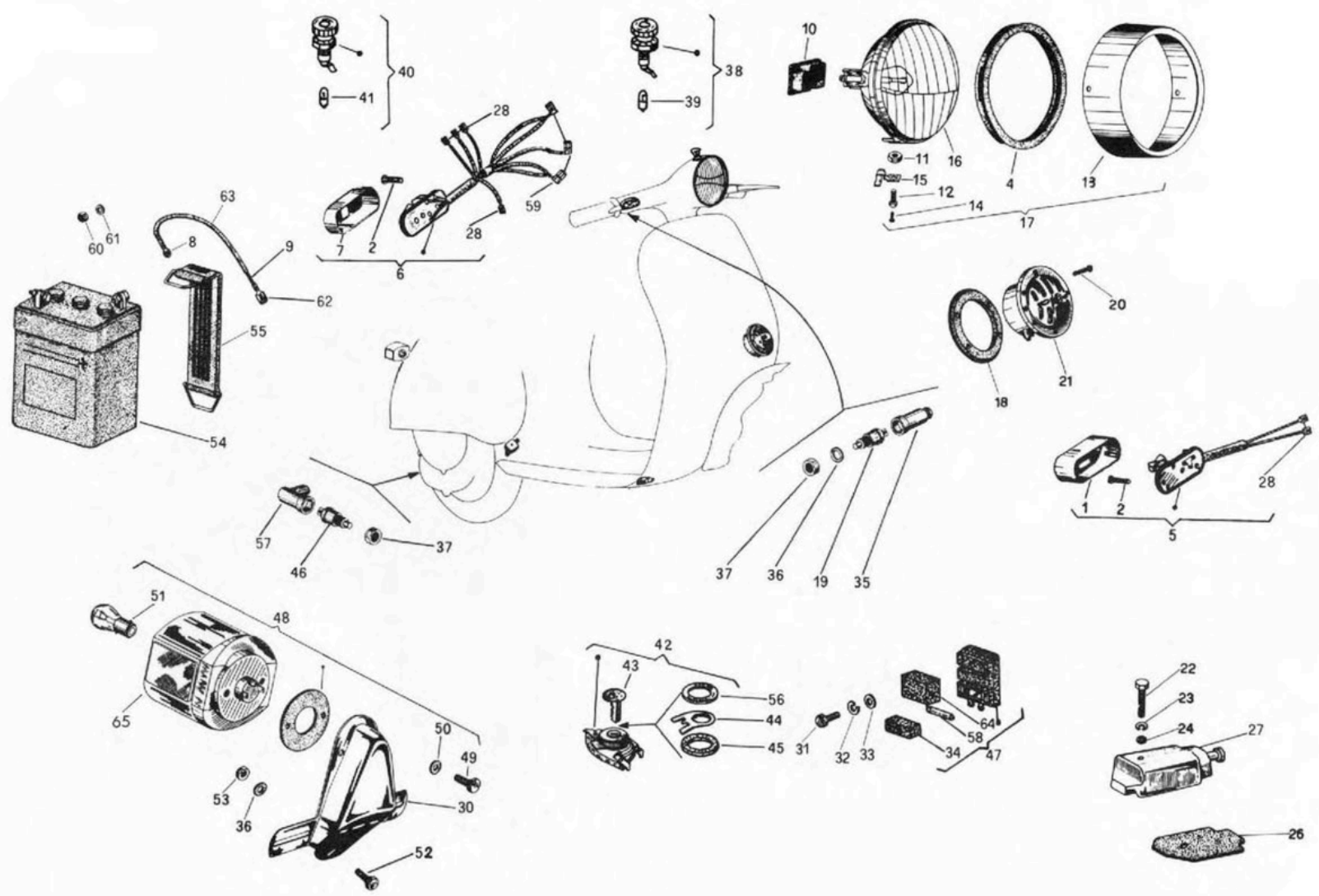
Fig. #	Part #	Description	V5B3T		Notes — Applications
			4 Sp.	3 Sp.	
27	S.008818	Brake Pedal Pin	1	1	
28	S.031091	Bolt	2	2	
29	S.013880	Washer	2	2	
30	S.016406	Spring Washer	3	3	
31	S.020106	Nut	2	2	
32	138474	Brake Pedal Support	1	1	
33	182872	Spring Clip	1	1	
34	070146	Washer	1		
34	S.003056	Washer		1	
35	071165	Pin	1	1	
36	078931	Washer	1		
36	162110	Washer		1	
37	S.012761	Cotter Pin	1	1	
38	S.012539	Lock Washer	1	1	
39	S.021209	Nut	1	1	
40	042047	Brake Cable Securing Plate ...	2	2	
41	S.015510	Bolt	1	1	
42	113726	Sheath — Rear Brake	1	1	DNS — Order Assembly
43	023825	Ferrule	2	2	
44	094094	Inner Cable — Rear Brake	1	1	
45	113725	Cable Assembly — Rear Brake .	1	1	Includes Parts 42, 44
46	2/098221	Cable Assembly — Choke	1	1	Includes Parts 7, 19
47	174358	Cable Assembly — Throttle ...	1	1	Includes Parts 1, 2, 4
48	138634	Cable Assembly — Gear Shift .	2	2	Includes Parts 6, 8
49	147513	Cable Assembly — Clutch	1	1	Includes Parts 10,11, 12
50	071059	Cable Assembly — Speedometer	1	1	Includes Part 13
51	150485	Cable Assembly — Front Brake	1	1	Includes Parts 7, 16, 17
52	078306	Pin	1	1	
53	078307	Washer	1	1	
54	078305	Lever	1	1	

T. XI

CABLES

Fig. #	Part #	Description	V5B3T		Notes — Applications
			4 Sp.	3 Sp.	
55	003221	Cable Securing Strap	1	1	
56	S.020206	Nut	1	1	
57	155540	Choke Lever	1	1	
58	070219	Grommet	1	1	
59	175063	Plate	1		

T. XII/3 — HEADLAMP — REAR TAIL LAMP (Three Speed Model Only)



T. XII/3 HEADLAMP — REAR TAIL LAMP (Three Speed Model Only)

Fig. #	Part #	Description	V5B3T		Notes — Applications
			4 Sp.	3 Sp.	
1	191186	Switch Cover		1	
2	S.015640	Screw		2	
3	028334	Screw		1	
4	114348	Packing		1	
5	191453	Engine Cut-off Switch		1	Includes Parts 1, 2, 28
6	189433	Horn/High-Low Beam Switch ..		1	Includes Parts 2, 7, 28, 59
7	163151	Switch Cover		1	
8	024429	Terminal		1	
9	087805	Electrical Cable		1	Request by Yards
10	156205	Headlamp Socket		1	
11	S.015221	Nut		3	
12	S.015543	Screw		3	
13	114347	Headlamp Rim		1	
14	S.015544	Headlamp Rim		1	
		Securing Screw		3	
15	104539	Headlamp Securing Plate		1	
16	A. 10001	Seal Beam		1	
17	104540	Headlamp Assembly		1	Includes Parts 4, 11, 12, 13, 14, 16
18	071702	Horn Packing		1	
19	126899	Stop Switch		1	
20	S.008999	Screw		4	
21	163896	Horn		1	
22	S.031033	Bolt		1	
23	S.016404	Spring Washer		1	
24	S.003054	Washer		1	
26	070144	Packing		1	
27	181881	Stop Switch Assembly		1	
28	101906	Terminal		6	
29	071037	Terminal Protection		1	
30	123526	Tail Lamp Bracket		1	
31	S.015715	Bolt		1	

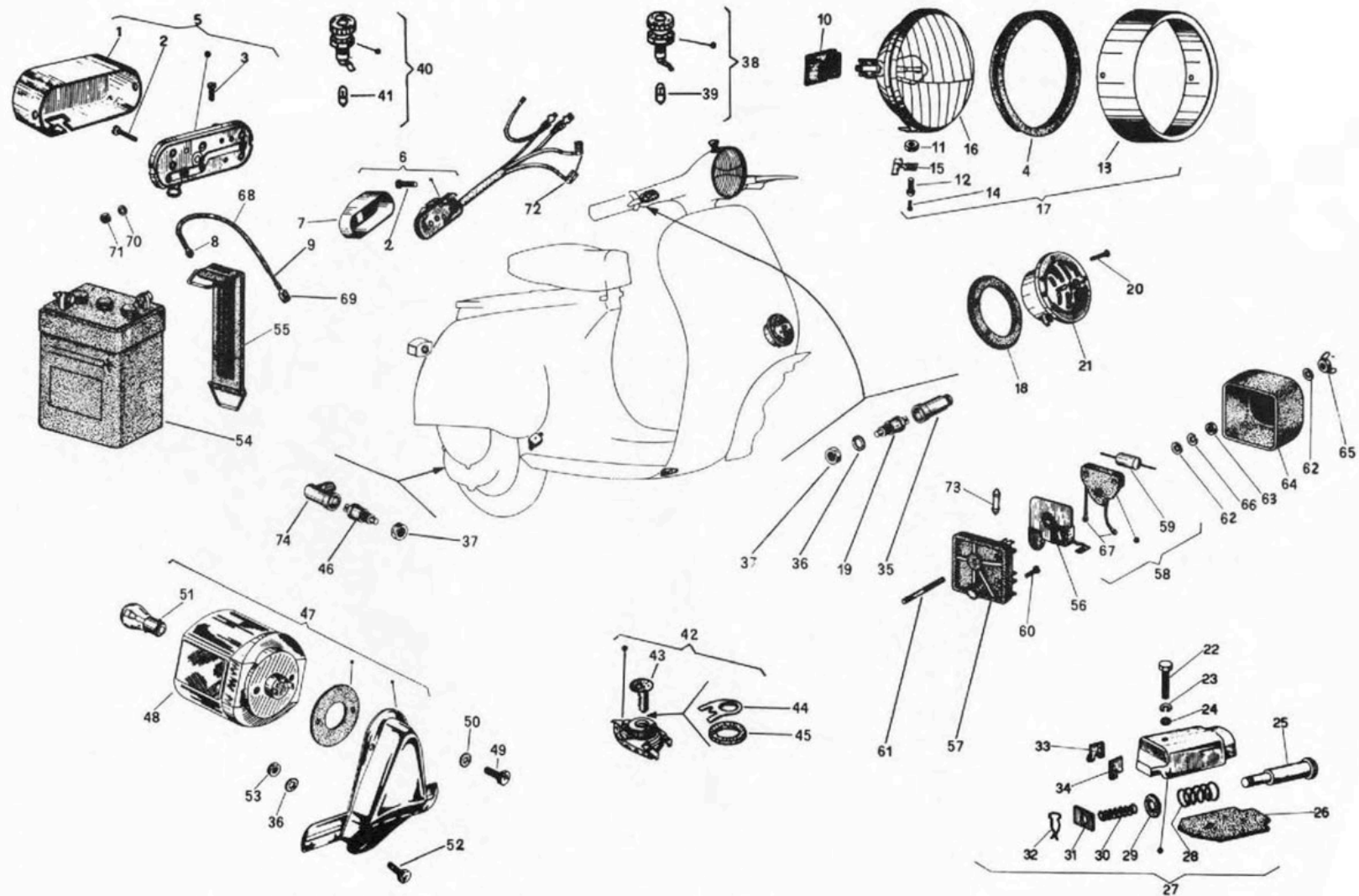
HEADLAMP — REAR TAIL LAMP (Three Speed Model Only)

Fig. #	Part #	Description	V5B3T		Notes — Applications
			4 Sp.	3 Sp.	
32	S.016405	Spring Washer		1	
33	S.003055	Washer		1	
34	185015	Cover		1	
35	126939	Protection Cap		1	
36	063441	Washer		4	
37	S.015259	Nut		2	
38	155707	High Beam Indicator Lamp		1	Includes Part 39
39	029378	Bulb — 6V — 0.6W		1	
40	185295	Neutral Indicator Lamp		1	Includes Part 41
41	182212	Bulb — 6V — 1.2W		1	
42	186260	Ignition Switch Assembly		1	Includes Part 43
43	164504	Key Blank		2	Pre-cut Keys Not Available
44	185142	Securing Plate		1	
45	189447	Packing		1	
46	126899	Neutral Indicator Switch		1	
47	185013	Fuse Block with Diode		1	Includes Parts 34, 58, 64
48	142806	Tail Light Assembly with Bracket		1	Includes Parts 30, 49, 50, 51, 65
49	S.031086	Bolt		2	
50	S.012533	Spring Washer		2	
51	089620	Dual Filament Bulb — 6V — 3/15W		1	
52	S.031036	Bolt		3	
53	S.020106	Nut		3	
54	A.16041	Battery		1	
55	090854	Battery Securing Strap		1	
56	187854	Switch Operation Plate		1	
57	167304	Protection Cap		1	
58	2/024967	Fuse		1	
59	156206	Terminal		3	
60	S.020105	Nut		1	

T. XII/3 HEADLAMP — REAR TAIL LAMP (Three Speed Model Only)

Fig. #	Part #	Description	V5B3T		Notes — Applications
			4 Sp.	3 Sp.	
61	S.012532	Washer		1	Includes Parts 8, 9, 62
62	071482	Terminal		1	
63	128300	Positive Battery Cable		1	
64	186119	Diode Protection Cover		1	
65	142805	Tail Light Assembly without Bracket		1	Includes Parts 49, 50 — Screws S.015815; Lens 152907

T. XII/4 — HEADLAMP — REAR TAIL LAMP (Four Speed Model Only)



T. XII/4 HEADLAMP — REAR TAIL LAMP (Four Speed Model Only)

Fig. #	Part #	Description	V5B3T		Notes — Applications
			4 Sp.	3 Sp.	
1	181843	Switch Cover	1		
2	S.008305	Screw	2		
3	028334	Screw	1		
4	114348	Packing	1		
5	181845	Engine Cut-off Switch	1		
6	182435	Horn/High-Low Beam Switch ..	1		
7	155614	Switch Cover	1		
8	024429	Terminal	1		
9	087805	Electrical Cable	1		Request by Yards
10	156205	Headlamp Socket	1		
11	S.015221	Nut	3		
12	S.015543	Screw	3		
13	114347	Headlamp Rim	1		
14	S.015544	Headlamp Rim Securing Screw .	3		
15	104539	Headlamp Securing Plate	1		
16	A. 10001	Seal Beam	1		
17	104540	Headlamp Assembly	1		Includes Parts 4, 11, 12, 13, 14, 16
18	071702	Horn Packing	1		
19	126899	Stop Switch	1		
20	S.008999	Screw	4		
21	163896	Horn	1		
22	S.031033	Bolt	1		
23	S.016404	Spring Washer	1		
24	S.003054	Washer	1		
25	070140	Stop Switch Plunger	1		
26	070144	Packing	1		
27	073611	Stop Switch Assembly	1		Includes Parts 25, 28, 29, 30, 31, 32, 33, 34
28	070141	Spring	1		DNS — Order Assembly
29	055322	Washer	1		DNS — Order Assembly
30	141077	Spring	1		DNS — Order Assembly

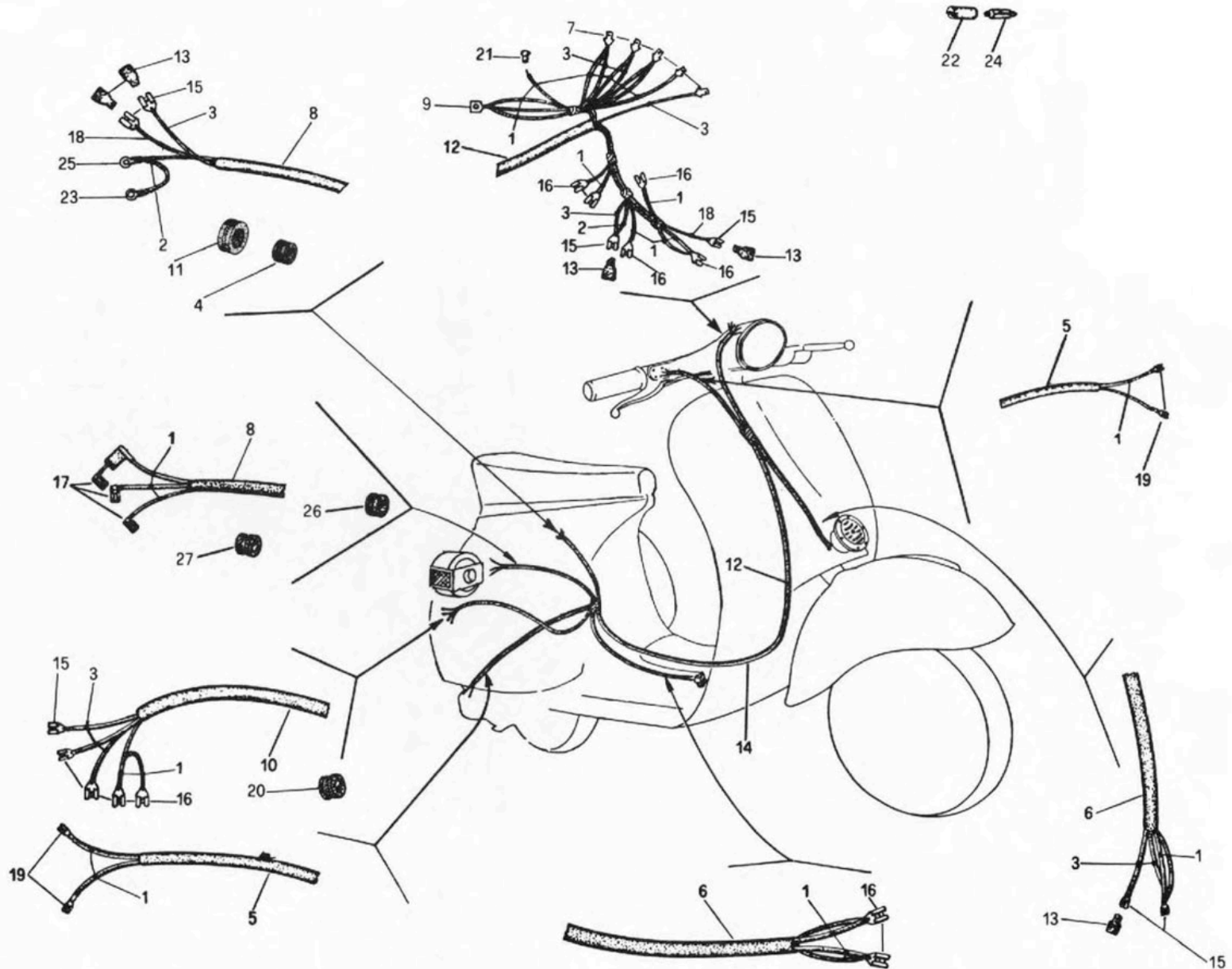
T. XII/4 HEADLAMP — REAR TAIL LAMP (Four Speed Model Only)

Fig. #	Part #	Description	V5B3T		Notes — Applications
			4 Sp.	3 Sp.	
31	073546	Plate	1		DNS — Order Assembly
32	055325	Spring	1		DNS — Order Assembly
33	073612	Contact Plate	1		
34	073547	Contact Plate	1		
35	126939	Protection Cap	1		
36	063441	Washer	4		
37	S.015259	Nut	2		
38	155707	High Beam Indicator Lamp	1		Includes Part 39
39	029378	Bulb 6V — 0.6W	1		
40	185295	Neutral Indicator Lamp	1		Includes Part 41
41	182212	Bulb 6V — 1.2W	1		
42	160743	Ignition Switch Assembly	1		Includes Part 43
43	164504	Key Blank	2		Pre-cut Keys Not Available
44	185142	Securing Plate	1		
45	146097	Packing	1		
46	126899	Neutral Indicator Switch	1		
47	142806	Tail Light Assembly with Bracket	1		Includes Parts 48, 49, 50, 51
48	142805	Tail Light without Bracket	1		Includes Parts 49, 50 — Screws S.015815; Lens 152907
49	S.031088	Bolt	2		
50	S.012533	Spring Washer	2		
51	089620	Dual Filament Bulb — 6V — 3/15W	1		
52	S.031086	Bolt	3		
53	S.020106	Nut	3		
54	A. 16041	Battery	1		
55	090854	Battery Securing Strap	1		
56	071454	Rectifier Plate	1		
57	071451	Rectifier Plate	1		
58	100218	Condenser Bracket Assembly ..	1		Includes Parts 59, 67
59	100220	Condenser	1		

T. XII/4 HEADLAMP — REAR TAIL LAMP (Four Speed Model Only)

Fig. #	Part #	Description	V5B3T		Notes — Applications
			4 Sp.	3 Sp.	
60	S.014692	Screw	2		Includes Parts 8, 9, 69
61	100067	Stud	1		
62	S.013836	Washer	2		
63	S.012041	Nut	1		
64	073615	Cover	1		
65	S.012134	Wing Nut	1		
66	000628	Spring Washer	1		
67	014501	Terminal	2		
68	128300	Positive Battery Cable	1		
69	071482	Terminal	1		
70	S.012532	Washer	1		
71	S.020105	Nut	1		
72	156206	Terminal	2		
73	2/024967	Fuse	1		
74	167304	Protection Cap	1		

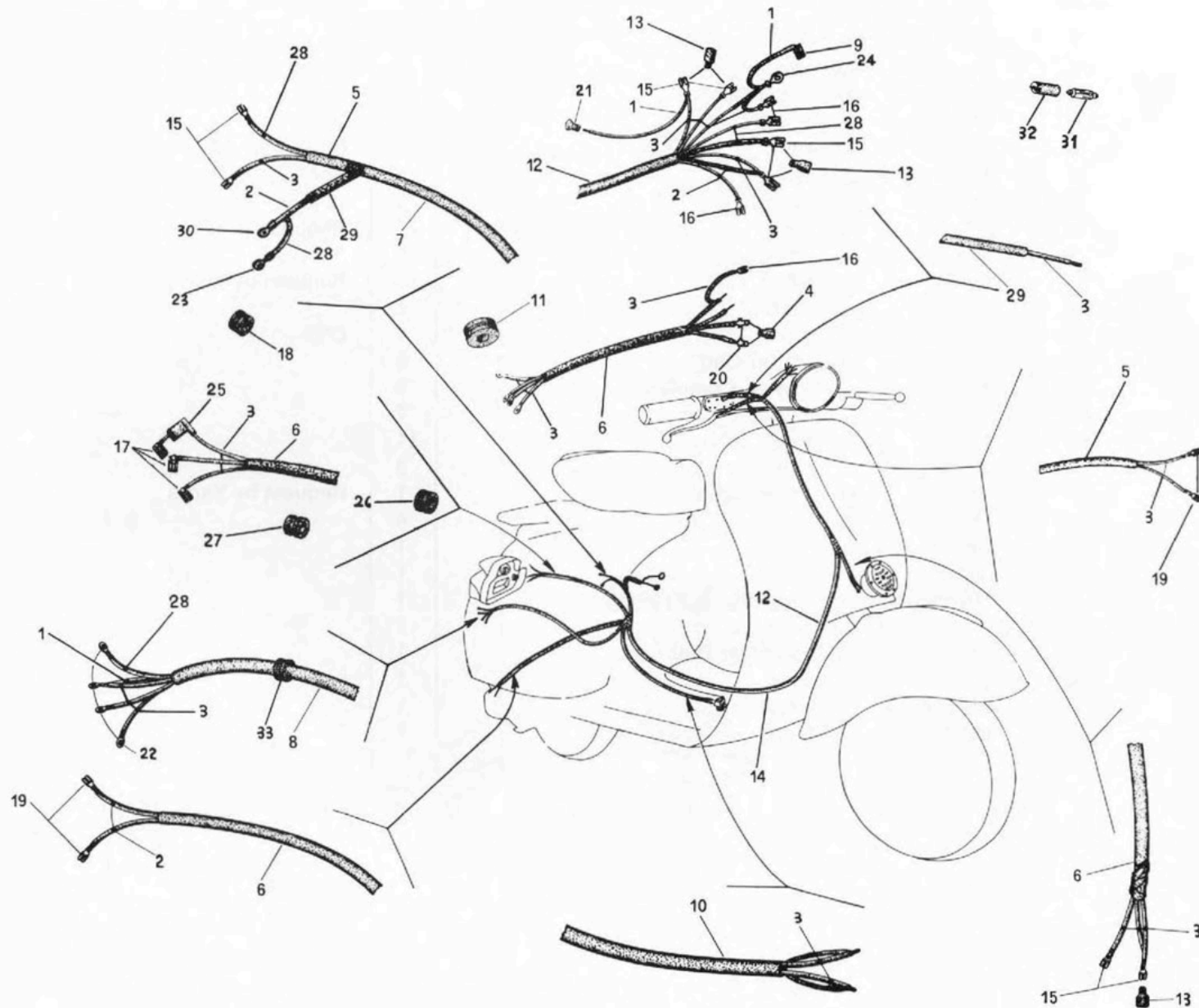
T. XIII/3 — ELECTRICAL CONNECTIONS (Three Speed Model Only)



T. XIII/3 ELECTRICAL CONNECTIONS (Three Speed Model Only)

Fig. #	Part #	Description	V5B3T		Notes — Applications
			4 Sp.	3 Sp.	
1	024577	Electrical Cable		1	Request by Yards
2	024360	Electrical Cable		1	Request by Yards
3	024583	Electrical Cable		1	Request by Yards
4	105392	Grommet		1	
5	087394	Sheath		1	Request by Yards
6	087396	Sheath		1	Request by Yards
7	103130	Terminal		5	
8	087399	Sheath		1	Request by Yards
9	S.015001	Terminal		1	
10	087402	Sheath		1	Request by Yards
11	104430	Grommet		1	
12	141992	Sheath		1	DNS
13	071037	Protection Cap		5	
14	191528	Harness — Complete		1	
15	071482	Terminal		7	
16	101906	Terminal		11	
17	071160	Terminal		3	
18	049652	Electrical Cable		1	Request by Yards
19	122429	Terminal		4	
20	070219	Grommet		1	
21	026378	Contact		1	
22	100998	Speedometer Bulb Holder		1	
23	S.015006	Terminal		1	
24	081862	Speedometer Bulb		1	
25	024429	Terminal		1	
26	015098	Grommet		1	
27	086485	Grommet		1	

T. XIII/4 — ELECTRICAL CONNECTIONS (Four Speed Model Only)



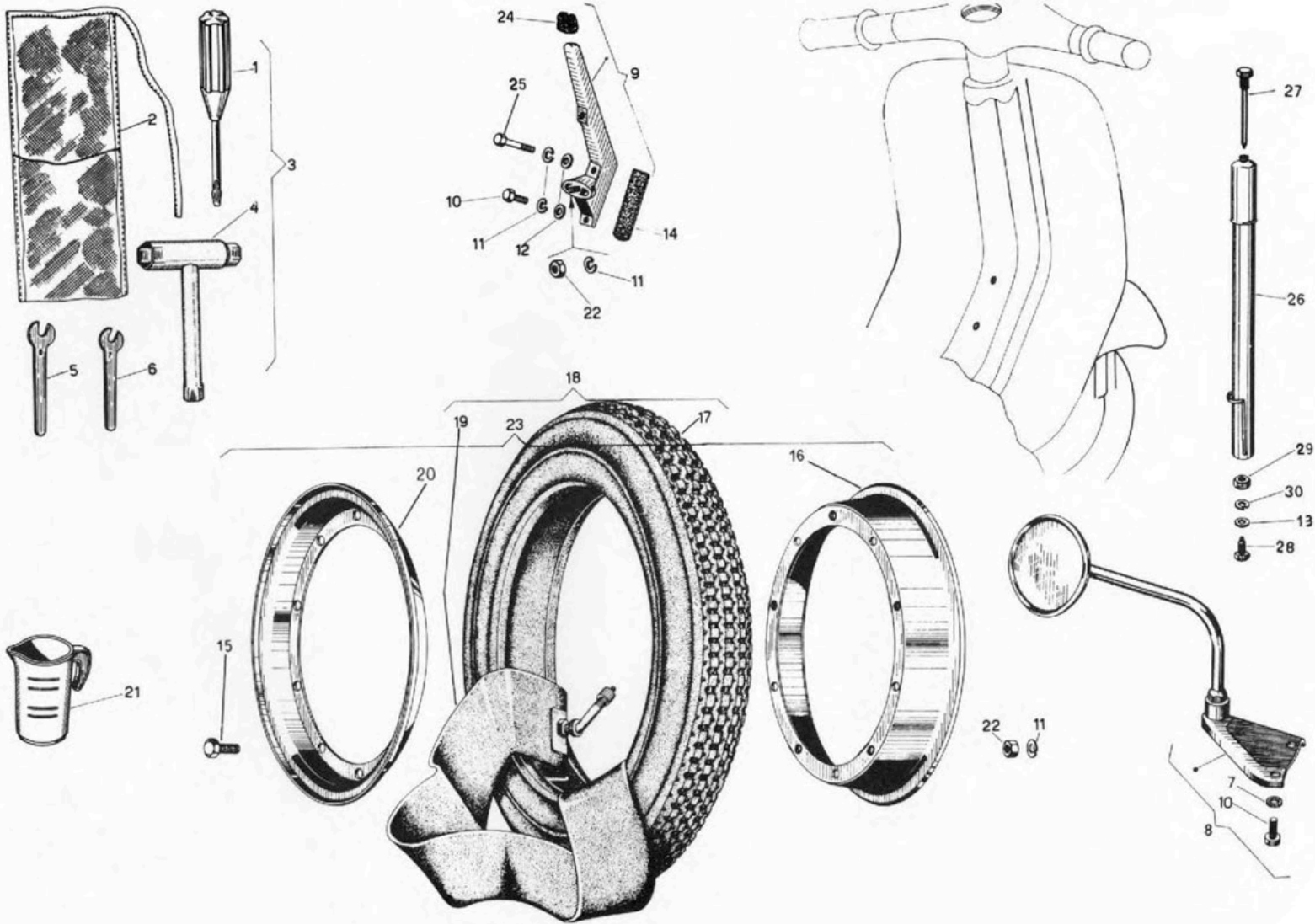
T. XIII/4 ELECTRICAL CONNECTIONS (Four Speed Model Only)

Fig. #	Part #	Description	V5B3T		Notes — Applications
			4 Sp.	3 Sp.	
1	024577	Electrical Cable	1		Request by Yards
2	024360	Electrical Cable	1		Request by Yards
3	024583	Electrical Cable	1		Request by Yards
4	146371	Protection Cap	2		
5	087394	Sheath	1		Request by Yards
6	087396	Sheath	1		Request by Yards
7	087398	Sheath	1		Request by Yards
8	087399	Sheath	1		Request by Yards
9	156206	Terminal	1		
10	087402	Sheath	1		Request by Yards
11	104430	Grommet	1		
12	141992	Sheath	1		DNS
13	071037	Protection Cap	6		
14	182095	Harness — Complete	1		
15	071482	Terminal	8		
16	101906	Terminal	4		
17	071160	Terminal	3		
18	068264	Grommet	1		
19	122429	Terminal	4		
20	071054	Terminal	2		
21	026378	Contact	1		
22	014501	Terminal	4		
23	S.015006	Terminal	1		
24	S.015105	Terminal	1		
25	143393	Protection Cap	3		
26	015098	Grommet	1		
27	086485	Grommet	1		
28	087805	Electrical Cable	1		Request by Yards
29	087393	Sheath	1		Request by Yards
30	024429	Terminal	1		
31	081862	Speedometer Bulb	1		

T. XIII/4 ELECTRICAL CONNECTIONS (Four Speed Model Only)

Fig. #	Part #	Description	V5B3T		Notes — Applications
			4 Sp.	3 Sp.	
32	100998	Speedometer Bulb Holder	1		
33	070219	Grommet	1		

T. XIV — WHEEL — TOOLS



T. XIV

WHEEL — TOOLS

Fig. #	Part #	Description	V5B3T		Notes — Applications
			4 Sp.	3 Sp.	
1	003204	Screwdriver	1	1	
2	141657	Tool Pouch	1	1	
3	152260	Tool Kit Assembly	1	1	
4	152253	Wrench — 11mm, 13mm, 21mm	1	1	
5	017856	Wrench — 8mm	1	1	
6	084829	Wrench — 7mm	1	1	
7	S.012538	Washer	2	2	DNS — Order Assembly
8	A. 26002	L. H. Drive Mirror	1	1	
9	A. 20024	Spare Tire Bracket	1	1	Not Original Equipment
10	S.031119	Bolt	2	2	
11	S.016408	Spring Washer	15	15	
12	S.003058	Washer	2	2	
13	S.003056	Washer	1	1	
14	085083	Packing	1	1	
15	139466	Bolt	10	10	
16	084629	Wheel Rim Half	1	1	DNS — Order Assembly
17	A. 71120	Tire	2	2	
18	100496	Wheel Assembly	2	2	DNS — Order Accessories
19	A. 71330	Inner Tube	2	2	
20	084630	Wheel Rim Half	2	2	DNS — Order Assembly
21	085058	Oil Cup	1	1	
22	S.020108	Nut	10	10	
23	A. 20005	Wheel Rim Assembly	2	2	
24	132541	Rubber Cap	1	1	DNS — Order Assembly
25	S.030078	Bolt	1	1	
26	098464	Tire Pump	1	1	
27	098465	Bolt	1	1	DNS — Order Assembly
28	098466	Bolt	1	1	DNS — Order Assembly
29	S.020106	Nut	1	1	
30	S.016406	Spring Washer	1	1	

INDEX

Part Number	Page Number	Part Number	Page Number	Part Number	Page Number	Part Number	Page Number
A. 10001	63, 69	S.005962	21, 27	S.008499	9, 35	S.012781	29
A. 15032	13	S.005981	25	S.008731	9	S.012787	19, 51
A. 16041	65, 71	S.006068	37	S.008735	29	S.013010	21
A. 20005	81	S.006177	41	S.008818	59	S.013762	19, 57
A. 20024	81	S.006379	21	S.008999	63, 69	S.013800	29
A. 20054	41	S.006407	35	S.010011	37	S.013836	73
A. 25001	47	S.006425	15	S.010022	37	S.013842	37
A. 26002	81	S.006612	11	S.010047	25	S.013879	51
A. 71120	81	S.006622	35	S.010051	27	S.013880	35, 59
A. 71330	81	S.006647	9, 15	S.010805	39	S.013920	55
S.000456	9	S.006706	21	S.010868	39	S.013940	57
S.000480	9	S.006710	17	S.010869	39	S.013962	33
S.000838	27	S.006714	51	S.010870	49	S.014013	49
S.000906	15	S.006716	19	S.010881	39	S.014402	35
S.001508	15	S.006721	15, 45	S.011297	11	S.014540	35
S.001510	9	S.006965	25	S.011753	15	S.014628	39
S.001545	9	S.006975	21	S.012012	29	S.014689	43
S.001821	9	S.007035	17	S.012041	15	S.014692	73
S.001822	15	S.007125	9	S.012113	53	S.015001	75
S.002314	19, 51	S.007130	15	S.012134	73	S.015006	75, 77
S.003054	63, 69	S.007631	11, 37	S.012136	53	S.015105	77
S.003055	25, 49, 53, 65	S.008080	35	S.012139	45	S.015123	49
S.003056	59, 81	S.008108	39	S.012332	25	S.015221	63, 69
S.003057	9, 37	S.008112	27	S.012532	53, 67, 73	S.015222	47
S.003058	21, 81	S.008230	23	S.012533	29, 65, 71	S.015252	43
S.003212	35	S.008265	27	S.012535	9	S.015259	65, 71
S.003918	11	S.008305	69	S.012538	81	S.015507	17
S.004515	11	S.008419	11	S.012539	23, 59	S.015510	23, 59
S.005771	19	S.008420	9	S.012554	27	S.015522	37
S.005772	15	S.008421	9	S.012563	15	S.015542	53
S.005901	21	S.008455	35	S.012761	21, 49, 59	S.015543	63, 69

INDEX

Part Number	Page Number	Part Number	Page Number	Part Number	Page Number	Part Number	Page Number
S.015544	63, 69	S.020207	19, 49	004435	35	028334	63, 69
S.015559	11	S.020209	43	004511	39	029378	65, 71
S.015597	27	S.021108	43	005141	47	029465	13
S.015598	21	S.021209	23, 59	008446	35	040316	45
S.015640	63	S.030050	15	011109	55	042047	23, 59
S.015715	63	S.030078	81	012218	39	2/046699	19
S.015812	53	S.030225	55	013836	37	046766	25
S.015856	27, 53, 55	S.031033	63, 69	013991	33	048591	43
S.015922	23	S.031036	65	014457	15	048596	43
S.016335	15	S.031056	49	014501	25, 27, 73, 77	049652	75
S.016403	27	S.031059	49	014657	57	055322	69
S.016404	29, 63, 69	S.031086	9, 27, 65, 71	015098	75, 77	055325	71
S.016405	25, 49, 55, 65	S.031088	57, 71	015467	37	055986	55
S.016406	29, 39, 59, 81	S.031089	15, 35, 39, 57	016821	15	055989	53
S.016407	9, 17, 35	S.031091	59	017385	43	056641	55
S.016408	21, 23, 43, 51, 81	S.031119	81	017492	53	056729	35
S.016409	43	000061	19, 49	017856	81	056730	35
S.016410	31, 43	000267	9	018699	57	057012	43
S.016412	47	000397	19	019264	53	057468	37
S.016603	41	000622	27	019301	19	057892	43
S.020005	45	000628	73	019556	51	057893	45
S.020006	29, 39	000662	25	023823	19	057894	43
S.020008	43	000686	9	023825	59	057895	45
S.020010	9	002036	49	024360	75, 77	057935	47
S.020104	23	002777	57	024410	19	057938	49
S.020105	17, 19, 25, 37, 49, 65, 73	002800	47	024429	63, 69, 75, 77	057939	47
S.020106	29, 35, 59, 65, 71, 81	002802	47	024577	75, 77	057940	47
S.020107	9, 17	003008	39	024583	75, 77	057941	47
S.020108	19, 21, 43, 51, 81	003204	81	2/024967	65, 73	057943	43
S.020206	61	003221	61	025990	49	057944	47
		003751	55	026378	75, 77	060536	43

INDEX

Part Number	Page Number	Part Number	Page Number	Part Number	Page Number	Part Number	Page Number
063441	65, 71	071160	75, 77	078366	19	083608	49
068264	77	071165	59	078473	15	084629	81
070072	45	071451	71	078478	15	084630	81
070122	57	071454	71	078522	19	084829	81
070140	69	071482	27, 67, 73, 75, 77	078526	19	085058	81
070141	69	071493	45	078543	29	085083	81
070144	63, 69	071499	45	078587	45	085286	31
070146	59	071500	43	078588	43	085287	31
070176	47	071506	37	078597	21	085291	31
070177	47	071638	39	078598	23	085418	29
070181	47	071671	13	078931	59	085508	51
070219	61, 75, 79	071702	63, 69	078944	21	085721	27
070433	49	071728	35	078945	19	085914	23, 51
070620	53	071734	35	078976	15	086485	75, 77
070635	43	071813	29	079002	15	087393	77
070641	43	072836	25	079077	15	087394	75, 77
070646	43	073546	71	079399	17	087396	75, 77
070744	23	073547	71	079469	17	087398	77
070846	25	073611	69	079474	17	087399	75, 77
070858	53	073612	71	079476	17	087402	75, 77
070874	57	073615	73	079478	17	087805	63, 69, 77
070891	57	073943	27	2/079497	17	087975	29
070994	57	077023	55	079697	25	089242	35
070895	57	077024	55	079875	29	089620	65, 71
070994	57	077252	39	079879	29	090025	19
071037	63, 75, 77	077269	41	079882	29	090045	25
071039	55	077775	11	079883	31	090131	9
071047	35	078305	59	079900	29	090150	43
071053	47	078306	59	080341	25	090305	49
071054	27, 77	078307	11, 27, 29, 59	081862	75, 77	090306	19
071059	59	078332	9	083139	37	090457	49

INDEX

Part Number	Page Number	Part Number	Page Number	Part Number	Page Number	Part Number	Page Number
090477	45	097734	53	098433	31	101906	63, 75, 77
090506	31	097755	57	098464	81	102349	25
090511	57	097756	57	098465	81	103130	27, 75
090527	17, 19, 49	098084	31	098466	81	103843	57
090529	15, 57	098109	43	098538	45	104430	75, 77
090597	15	098128	31	098662	39	104539	63, 69
090731	35	098129	31	098663	39	104540	63, 69
090732	35	098130	29	098668	39	105392	75
090854	65, 71	098132	31	098669	41	107089	57
090878	49	098133	31	098787	19	110003	29
090899	19	098134	31	098788	23	110007	29
090934	43	098135	31	2/098812	43	110586	27
090958	39	098136	31	099335	49	111496	29
090982	37	098137	33	099368	9	111584	25
091058	49	098138	31	100067	73	111586	19
091323	47	098139	31	100218	71	111596	21
091491	27	098140	31	100220	71	112022	17
091925	9	098141	31	100389	39	112040	45
092217	35	098142	31	100408	41	112071	27
092403	31	098144	31	100426	57	112093	45
092517	23, 51	098145	31	100492	19	112348	15
092667	55	098146	31	100496	81	112377	15
094030	35	098147	31	100617	53	112490	17
094094	59	098148	31	100618	53	112515	13
094720	35	098149	31	100998	75	113725	59
094727	45	098196	11	100998	79	113726	59
094779	23	098197	11	101470	53	114125	21
097108	49	098198	11	101473	53	114347	63, 69
097237	41	2/098221	59	101474	53	114348	63, 69
097587	29	098319	35	101481	53	118310	57
097733	53	098430	31	101783	41	118313	57

INDEX

Part Number	Page Number	Part Number	Page Number	Part Number	Page Number	Part Number	Page Number
118563	43	134381	21	139184	41	150110	21
120070	9	134431	9	139261	13	150184	25
122349	29	134902	21	139370	51	150235	53
122429	75, 77	134903	21	139466	81	150264	43
122468	11	134904	21	139890	55	150275	39
122469	11	134905	21	141077	69	150276	39
122470	11	134906	21	141657	81	150484	57
123526	63	135384	41	141830	27	150485	59
124708	51	135387	41	141838	25	150508	17
126899	63, 65, 69, 71	135388	41	141923	53	150566	39
126927	55	135389	39	141992	75, 77	150579	51
126929	55	135390	39	142805	67, 71	151493	15
126939	65, 71	136577	33	142806	65, 71	151743	15
128217	47	137655	31	142861	49	151614	47
128281	51	137731	9	143393	77	151615	47
128300	67, 73	137837	53	143849	57	152096	47
131090	41	137844	55	145088	25	152253	81
131093	41	137936	45	145490	41	152260	81
131094	41	138210	55	145493	41	152272	35
131095	41	138241	19, 51	146097	71	152280	41
131952	29	138297	53	146371	77	152329	47
132233	11	138324	19	147045	35	152511	39
132299	25	138345	19	147046	35	152649	39
132541	81	138393	21	147047	35	152661	15
132547	21	138474	59	147265	37	152664	9
132548	21	138617	35	147274	37	152895	49
132562	29	138634	59	147277	37	153024	55
132590	31	138857	41	147511	57	153025	55
133500	25	138934	37	147512	57	153198	57
133658	25	138935	35	147513	59	155540	57
134359	9	139115	55	150051	19	155579	9

INDEX

Part Number	Page Number	Part Number	Page Number	Part Number	Page Number	Part Number	Page Number
155614	69	165710	25	180470	43	185141	53
155707	65, 71	165844	17	181289	53	185142	65, 71
156151	39	165872	49	181351	47	185295	65, 71
156205	63, 69	165873	49	181793	53	185458	23
156206	65, 73, 77	165944	15	181843	69	185621	27
156338	27	165945	15	181845	69	186119	67
157042	29	165947	17	181881	63	186260	65
158064	47	165949	15	181994	11	186828	25
158251	47	166945	11	181995	11	186829	25
158893	37	167304	65, 73	182049	57	187776	55
159729	31	167422	19	182051	57	187854	65
160743	71	167425	23	182053	27	189433	63
161125	23, 25	167426	23	182054	27	189447	65
162110	59	167427	23	182059	25	191185	53
163151	63	167428	21	182060	25	191186	63
163896	63, 69	167553	9	182069	11	191240	55
164504	65, 71	167555	23	182095	77	191453	63
165019	15	174092	47	182212	65, 71	191455	11
165020	17	174357	57	182435	69		
165123	11	174358	59	182509	11		
165146	29	174628	47	182510	11		
165206	19	174629	47	182511	11		
165279	55	175063	61	182527	23		
165303	15	175330	37	182872	59		
165304	21	175384	55	183124	57		
165370	49	175385	53	183678	47		
165415	21	175952	49	183680	47		
165416	21	176773	53	185013	65		
165417	21	180053	37	185015	65		
165418	21	180054	37	185108	39		
165600	25	180089	47	185139	55		